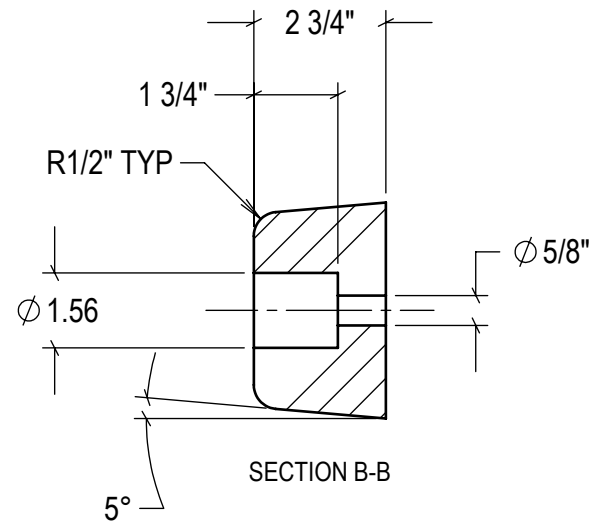
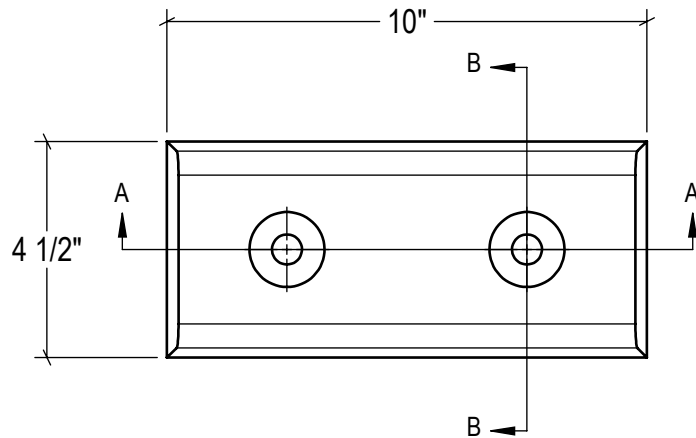
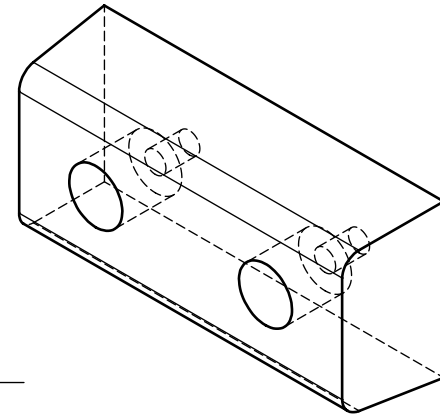


SECTION A-A



SECTION B-B

ESTIMATED GROSS SHIPPING WEIGHT = 5 LBS

SPECIFICATIONS:

ALL MOLDED BUMPERS HAVE PRE-DRILLED, COUNTERSUNK MOUNTING HOLES FOR EASY INSTALLATION, SIZED TO ACCEPT Ø3/4" ANCHOR.

- REINFORCED PRIME RUBBER; HARDNESS 70±5 (ASTM D2240)
- 95% IMPACT RECOVERY
- 8.3 N/MM2 (±10%) TENSILE STRENGTH (ASTM D792)
- 1.2 G/CM3 (±0.1) DENSITY (ASTM D412C)

ALL DIMENSIONS ARE ±1/4" UNLESS SPECIFIED OTHERWISE

DRAWN BY:
S.SARGESON

DATE:

CHECKED BY:

DATE:

THE INFORMATION CONTAINED IN THIS DRAWING IS THE SOLE PROPERTY OF IDEAL WAREHOUSE INNOVATIONS INC. ANY REPRODUCTION IN PART OR AS A WHOLE IS PROHIBITED.



3rd Angle

SIZE:
A



**IDEAL WAREHOUSE
INNOVATIONS INC**

DESCRIPTION:

MOLDED RUBBER BUMPER DBE-10

SCALE:
1:4

SHEETS:
1 of 1

DRAWING NUMBER:
MKT_DBE-10

REV:
1