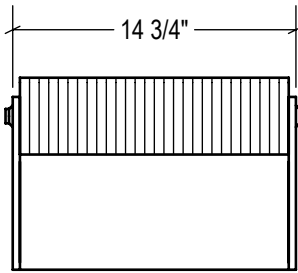
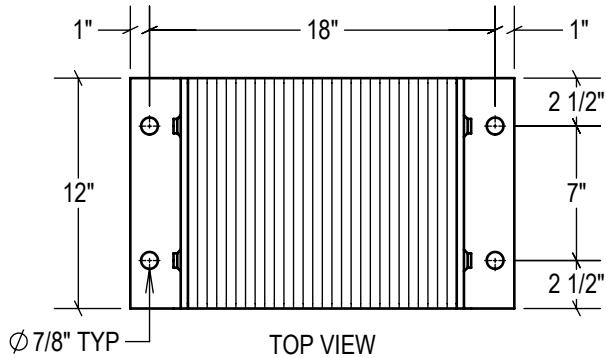


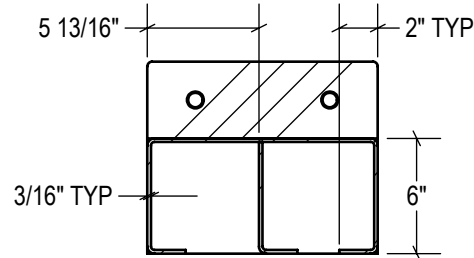
P1 CONFIG.



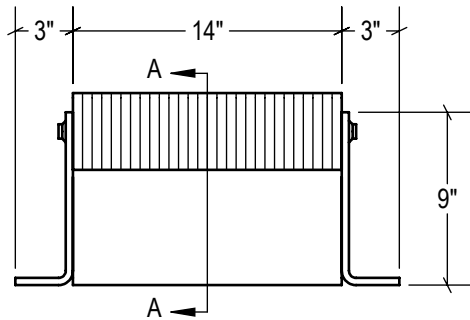
P2 CONFIG.



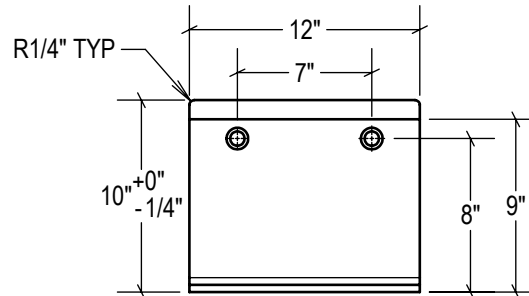
TOP VIEW



SECTION A-A

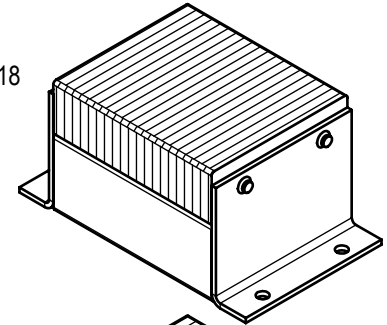


FRONT VIEW

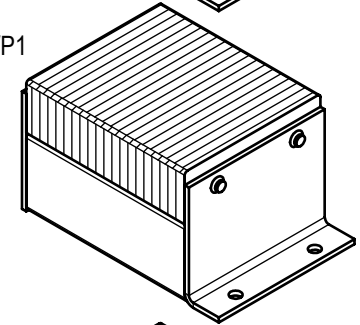


SIDE VIEW

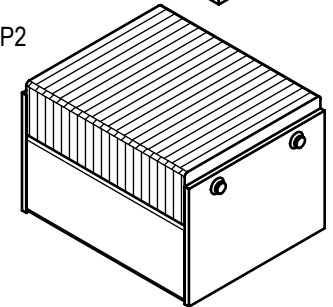
STANDARD
model #: LB1012-18
part #: 24-4006
Bolted (2) Sides



P1 CONFIG.
model #: LB1012-18/P1
part #: 24-4007
Welded (1) Side



P2 CONFIG.
model #: LB1012-18/P2
part #: 24-4008
Welded (2) Sides



ESTIMATED GROSS SHIPPING WEIGHT = 85 LBS

SPECIFICATIONS:

FURNISH AND INSTALL LAMINATED RUBBER DOCK BUMPERS AS MANUFACTURED BY IDEAL WAREHOUSE INNOVATIONS, INC. LAMINATED PADS SHALL BE MADE FROM REINFORCED TRUCK TIRES CUT TO 4.125" x 12" PUNCHED AND ASSEMBLED THROUGH 3/4" RODS BETWEEN FORMED 3/8" THICK STEEL UNDER 1,500LBS OF PRESSURE. FINISH OF EXPOSED METAL SHALL BE PAINTED WITH WATER-BASED AND LEAD-FREE PAINT OR HOT-DIPPED GALVANIZED (OPTIONAL).

ALL DIMENSIONS ARE ± 1/8" UNLESS SPECIFIED OTHERWISE

DRAWN BY:

T.CHUNG

CHECKED BY:

DATE:

2018-12-12

DATE:

THE INFORMATION CONTAINED IN THIS DRAWING IS THE SOLE PROPERTY OF IDEAL WAREHOUSE INNOVATIONS INC. ANY REPRODUCTION IN PART OR AS A WHOLE IS PROHIBITED.



3rd Angle

SIZE:

A



IDEAL WAREHOUSE INNOVATIONS INC

DESCRIPTION:
LAMINATED RUBBER BUMPER LB1012-18

SCALE: 1:10	SHEETS: 1 of 1	DRAWING NUMBER: MKT_LB1012-18	REV: 1
-----------------------	--------------------------	---	------------------