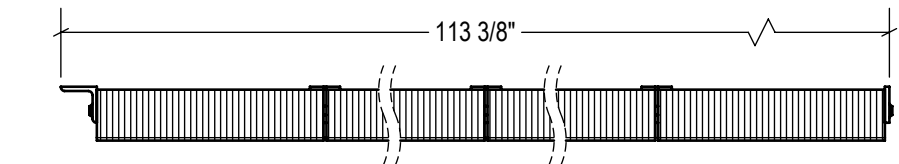
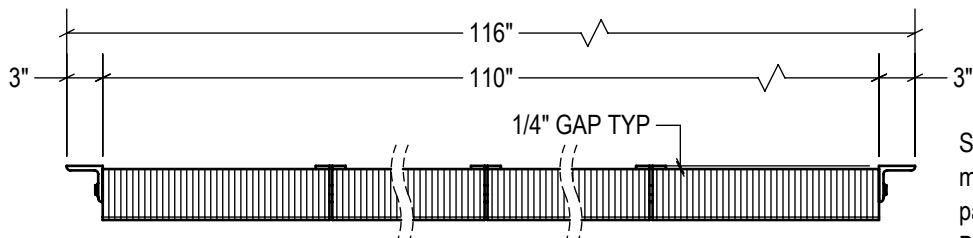


P2 CONFIG.  
model #: LB410-114/P2  
part #: 24-1076  
Welded (2) Sides

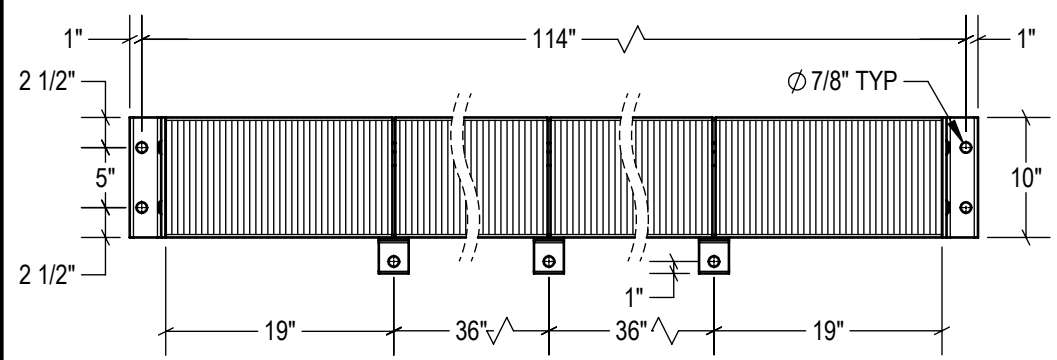


P1 CONFIG.  
model #: LB410-114/P1  
part #: 24-1075  
Welded (1) Side

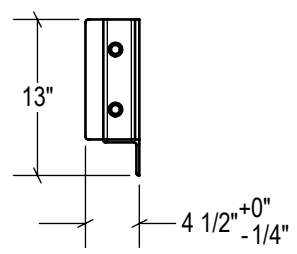


STANDARD  
model #: LB410-114  
part #: 24-1074  
Bolted (2) Sides

TOP VIEW

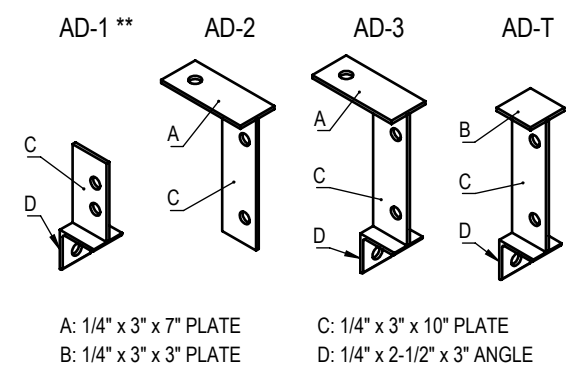


FRONT VIEW



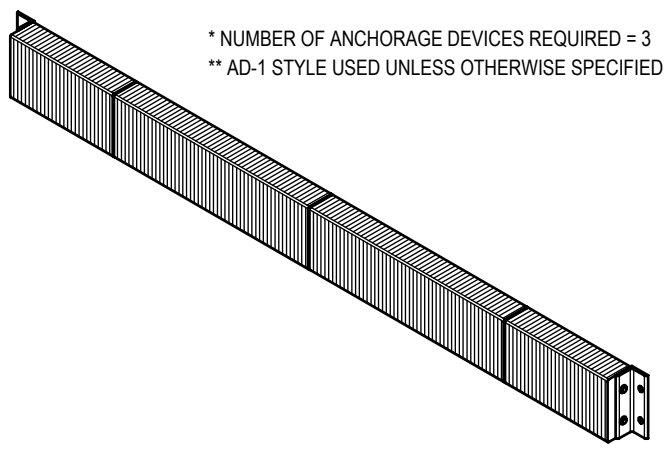
SIDE VIEW

ANCHORAGE DEVICES \*



A: 1/4" x 3" x 7" PLATE  
B: 1/4" x 3" x 3" PLATE  
C: 1/4" x 3" x 10" PLATE  
D: 1/4" x 2-1/2" x 3" ANGLE

\* NUMBER OF ANCHORAGE DEVICES REQUIRED = 3  
\*\* AD-1 STYLE USED UNLESS OTHERWISE SPECIFIED



ESTIMATED GROSS SHIPPING WEIGHT = 228 LBS

**SPECIFICATIONS:**  
FURNISH AND INSTALL LAMINATED RUBBER DOCK BUMPERS AS MANUFACTURED BY IDEAL WAREHOUSE INNOVATIONS, INC. LAMINATED PADS SHALL BE MADE FROM REINFORCED TRUCK TIRES CUT TO 4.125" x 10" PUNCHED AND ASSEMBLED THROUGH 3/4" RODS BETWEEN 3" x 3" x 3/8" STRUCTURAL STEEL UNDER 1,500LBS OF PRESSURE. FINISH OF EXPOSED METAL SHALL BE PAINTED WITH WATER-BASED AND LEAD-FREE PAINT OR HOT-DIPPED GALVANIZED (OPTIONAL).

ALL DIMENSIONS ARE ±1/8" UNLESS SPECIFIED OTHERWISE

**DRAWN BY:**  
T.CHUNG

**DATE:**  
2018-12-19

**CHECKED BY:**

**DATE:**

THE INFORMATION CONTAINED IN THIS DRAWING IS THE SOLE PROPERTY OF IDEAL WAREHOUSE INNOVATIONS INC. ANY REPRODUCTION IN PART OR AS A WHOLE IS PROHIBITED.

3rd Angle	<b>SIZE:</b> A		
	<b>DESCRIPTION:</b> LAMINATED RUBBER BUMPER LB410-114		
<b>SCALE:</b> 1:16	<b>SHEETS:</b> 1 of 1	<b>DRAWING NUMBER:</b> MKT_LB410-114	<b>REV:</b> 1