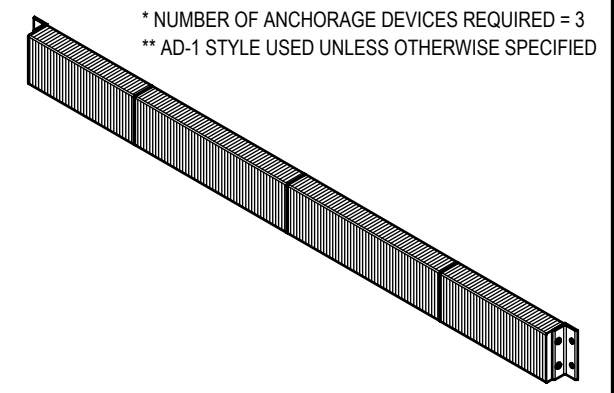
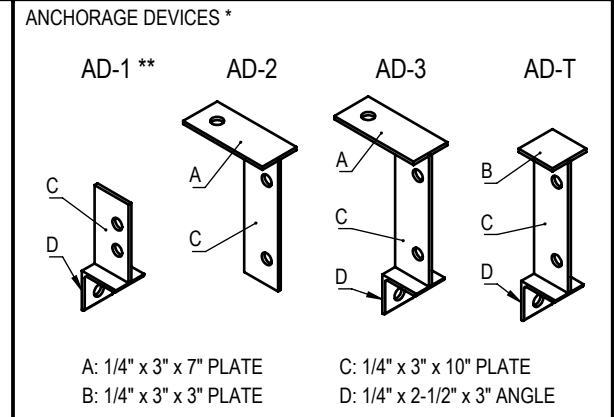


P2 CONFIG.
model #: LB410-126/P2
part #: 24-1079
Welded (2) Sides

P1 CONFIG.
model #: LB410-126/P1
part #: 24-1078
Welded (1) Side

STANDARD
model #: LB410-126
part #: 24-1077
Bolted (2) Sides



ESTIMATED GROSS SHIPPING WEIGHT = 252 LBS

SPECIFICATIONS:
FURNISH AND INSTALL LAMINATED RUBBER DOCK BUMPERS AS MANUFACTURED BY IDEAL WAREHOUSE INNOVATIONS, INC. LAMINATED PADS SHALL BE MADE FROM REINFORCED TRUCK TIRES CUT TO 4.125" x 10" PUNCHED AND ASSEMBLED THROUGH 3/4" RODS BETWEEN 3" x 3" x 3/8" STRUCTURAL STEEL UNDER 1,500 LBS OF PRESSURE. FINISH OF EXPOSED METAL SHALL BE PAINTED WITH WATER-BASED AND LEAD-FREE PAINT OR HOT-DIPPED GALVANIZED (OPTIONAL).

ALL DIMENSIONS ARE ±1/8" UNLESS SPECIFIED OTHERWISE

DRAWN BY: **T.CHUNG** DATE: **2018-12-19**
CHECKED BY: DATE:
THE INFORMATION CONTAINED IN THIS DRAWING IS THE SOLE PROPERTY OF IDEAL WAREHOUSE INNOVATIONS INC. ANY REPRODUCTION IN PART OR AS A WHOLE IS PROHIBITED.

SIZE: A			
DESCRIPTION: LAMINATED RUBBER BUMPER LB410-126			
SCALE: 1:16	SHEETS: 1 of 1	DRAWING NUMBER: MKT_LB410-126	REV: 1