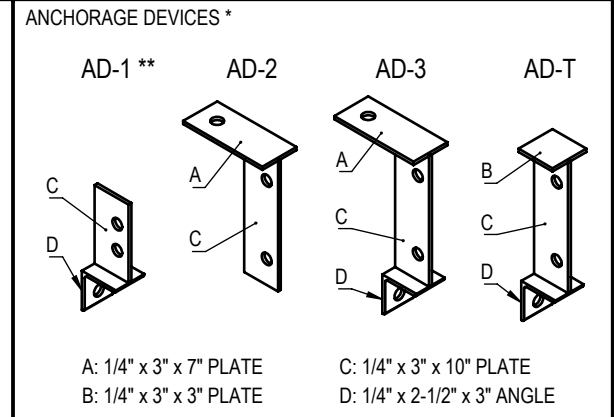


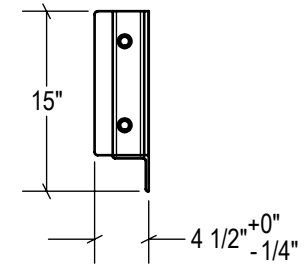
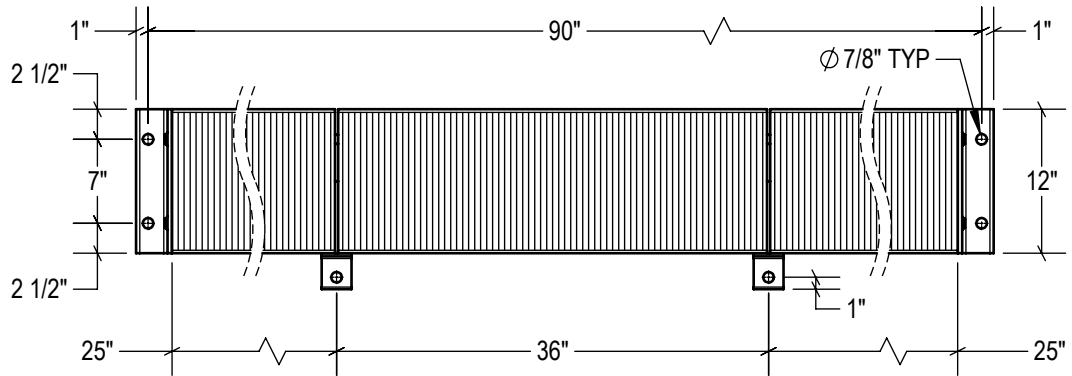
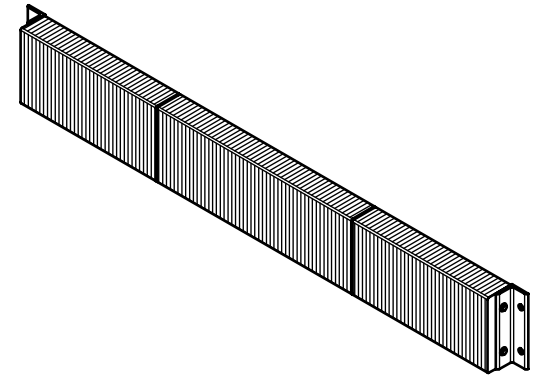
P2 CONFIG.
model #: LB412-090/P2
part #: 24-7011
Welded (2) Sides

P1 CONFIG.
model #: LB412-090/P1
part #: 24-7010
Welded (1) Side

STANDARD
model #: LB412-090
part #: 24-7009
Bolted (2) Sides



* NUMBER OF ANCHORAGE DEVICES REQUIRED = 2
** AD-1 STYLE USED UNLESS OTHERWISE SPECIFIED



ESTIMATED GROSS SHIPPING WEIGHT = 214 LBS

SPECIFICATIONS:
FURNISH AND INSTALL LAMINATED RUBBER DOCK BUMPERS AS MANUFACTURED BY IDEAL WAREHOUSE INNOVATIONS, INC. LAMINATED PADS SHALL BE MADE FROM REINFORCED TRUCK TIRES CUT TO 4.125" x 12" PUNCHED AND ASSEMBLED THROUGH 3/4" RODS BETWEEN 3" x 3" x 3/8" STRUCTURAL STEEL UNDER 1,500LBS OF PRESSURE. FINISH OF EXPOSED METAL SHALL BE PAINTED WITH WATER-BASED AND LEAD-FREE PAINT OR HOT-DIPPED GALVANIZED (OPTIONAL).

ALL DIMENSIONS ARE ±1/8" UNLESS SPECIFIED OTHERWISE

DRAWN BY: T.CHUNG
DATE: 2018-12-19

CHECKED BY: _____
DATE: _____

THE INFORMATION CONTAINED IN THIS DRAWING IS THE SOLE PROPERTY OF IDEAL WAREHOUSE INNOVATIONS INC. ANY REPRODUCTION IN PART OR AS A WHOLE IS PROHIBITED.

3rd Angle	SIZE: A		
	DESCRIPTION: LAMINATED RUBBER BUMPER LB412-090		
SCALE: 1:16	SHEETS: 1 of 1	DRAWING NUMBER: MKT_LB412-090	REV: 1