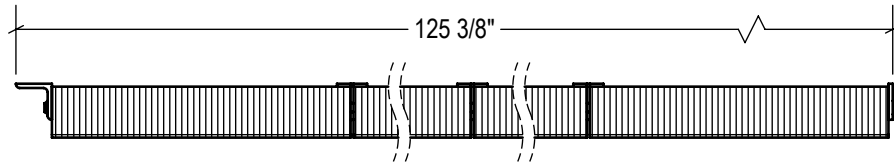
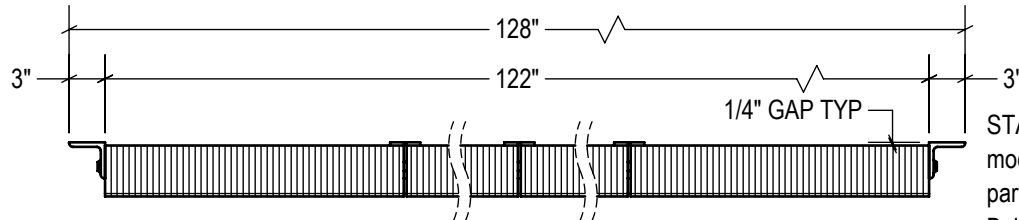


P2 CONFIG.
model #: LB412-126/P2
part #: 24-7020
Welded (2) Sides

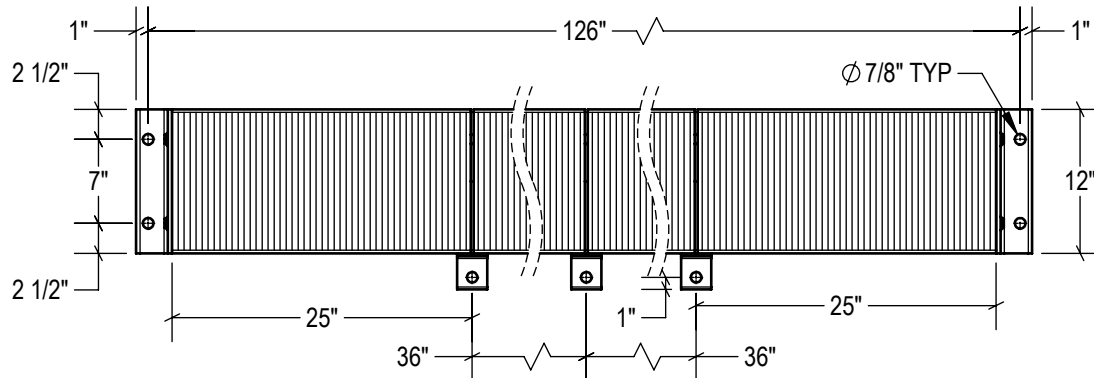


P1 CONFIG.
model #: LB412-126/P1
part #: 24-7019
Welded (1) Side

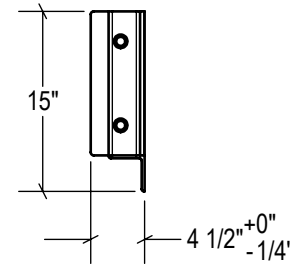


STANDARD
model #: LB412-126
part #: 24-7018
Bolted (2) Sides

TOP VIEW

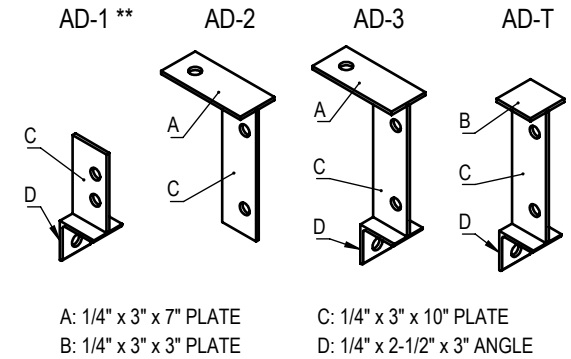


FRONT VIEW



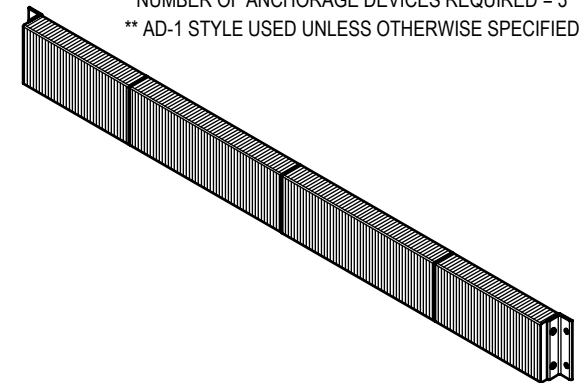
SIDE VIEW

ANCHORAGE DEVICES *



A: 1/4" x 3" x 7" PLATE
B: 1/4" x 3" x 3" PLATE
C: 1/4" x 3" x 10" PLATE
D: 1/4" x 2-1/2" x 3" ANGLE

* NUMBER OF ANCHORAGE DEVICES REQUIRED = 3
** AD-1 STYLE USED UNLESS OTHERWISE SPECIFIED



ESTIMATED GROSS SHIPPING WEIGHT = 297 LBS

SPECIFICATIONS:

FURNISH AND INSTALL LAMINATED RUBBER DOCK BUMPERS AS MANUFACTURED BY IDEAL WAREHOUSE INNOVATIONS, INC. LAMINATED PADS SHALL BE MADE FROM REINFORCED TRUCK TIRES CUT TO 4.125" x 12" PUNCHED AND ASSEMBLED THROUGH 3/4" RODS BETWEEN 3" x 3" x 3/8" STRUCTURAL STEEL UNDER 1,500LBS OF PRESSURE. FINISH OF EXPOSED METAL SHALL BE PAINTED WITH WATER-BASED AND LEAD-FREE PAINT OR HOT-DIPPED GALVANIZED (OPTIONAL).

ALL DIMENSIONS ARE ±1/8" UNLESS SPECIFIED OTHERWISE

DRAWN BY:

T.CHUNG

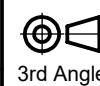
DATE:

2018-12-19

CHECKED BY:

DATE:

THE INFORMATION CONTAINED IN THIS DRAWING IS THE SOLE PROPERTY OF IDEAL WAREHOUSE INNOVATIONS INC. ANY REPRODUCTION IN PART OR AS A WHOLE IS PROHIBITED.



3rd Angle

SIZE:

A



IDEAL WAREHOUSE INNOVATIONS INC

DESCRIPTION:

LAMINATED RUBBER BUMPER LB412-126

SCALE:

1:16

SHEETS:

1 of 1

DRAWING NUMBER:

MKT_LB412-126

REV:

1