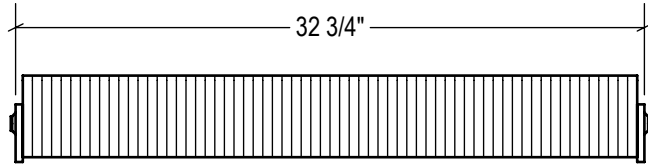
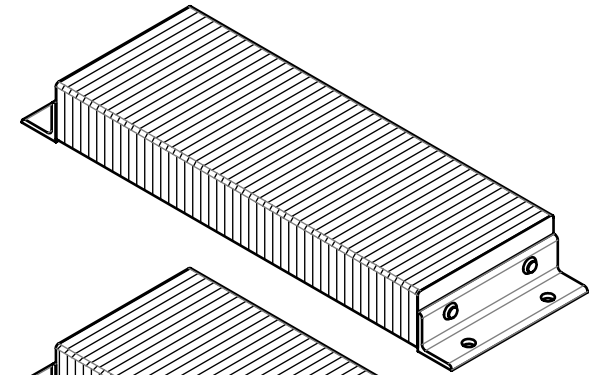


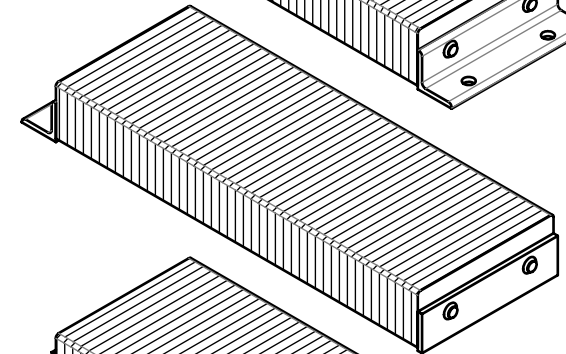
P1 CONFIG.

STANDARD  
model #: LB412-36  
part #: 24-1012  
Bolted (2) Sides

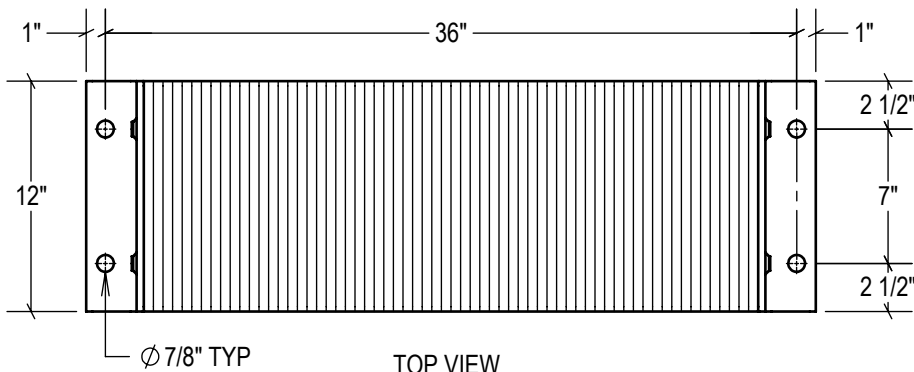
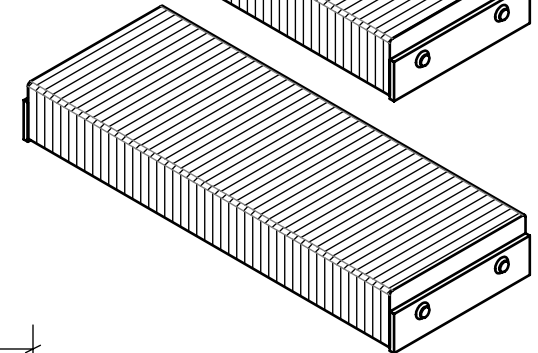


P2 CONFIG.

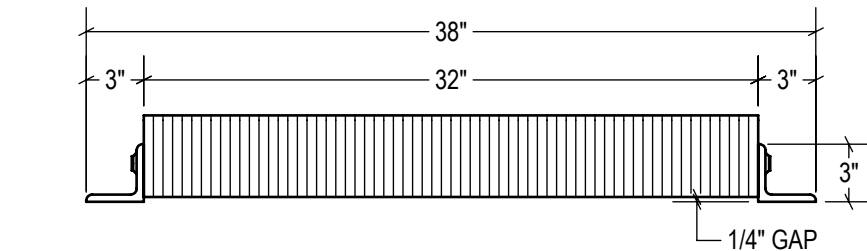
P1 CONFIG.  
model #: LB412-36/P1  
part #: 24-1013  
Welded (1) Side



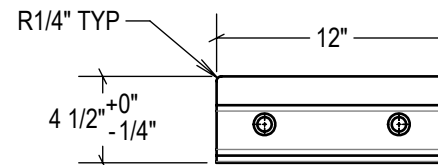
P2 CONFIG.  
model #: LB412-36/P2  
part #: 24-1014  
Welded (2) Sides



TOP VIEW



FRONT VIEW



SIDE VIEW

ESTIMATED GROSS SHIPPING WEIGHT = 85 LBS

**SPECIFICATIONS:**

FURNISH AND INSTALL LAMINATED RUBBER DOCK BUMPERS AS MANUFACTURED BY IDEAL WAREHOUSE INNOVATIONS INC. LAMINATED PADS SHALL BE RECYCLED RUBBERIZED FABRIC OR REINFORCED TRUCK TIRES CUT TO 4.125" x 12" PUNCHED AND ASSEMBLED THROUGH 3/4" RODS BETWEEN 3" x 3" x 3/8" STRUCTURAL STEEL UNDER 1,500LBS OF PRESSURE. FINISH OF EXPOSED METAL SHALL BE PAINTED WITH WATER-BASED AND LEAD-FREE PAINT OR HOT-DIPPED GALVANIZED (OPTIONAL).

ALL DIMENSIONS ARE ± 1/8" UNLESS SPECIFIED OTHERWISE

DRAWN BY:

**T.CHUNG**

DATE:

**12/12/2018**

CHECKED BY:

DATE:

THE INFORMATION CONTAINED IN THIS DRAWING IS THE SOLE PROPERTY OF IDEAL WAREHOUSE INNOVATIONS INC. ANY REPRODUCTION IN PART OR AS A WHOLE IS PROHIBITED.



3rd Angle

SIZE:

**A**



**IDEAL WAREHOUSE INNOVATIONS INC**

DESCRIPTION:

**LAMINATED RUBBER BUMPER LB412-36**

SCALE:

**1:10**

SHEETS:

**1 of 1**

DRAWING NUMBER:

**MKT\_LB412-36**

REV:

**0**