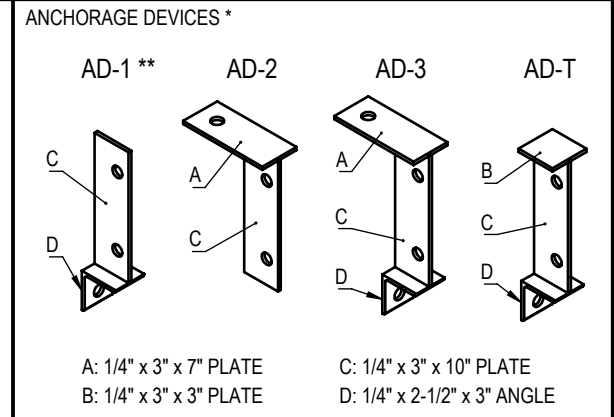


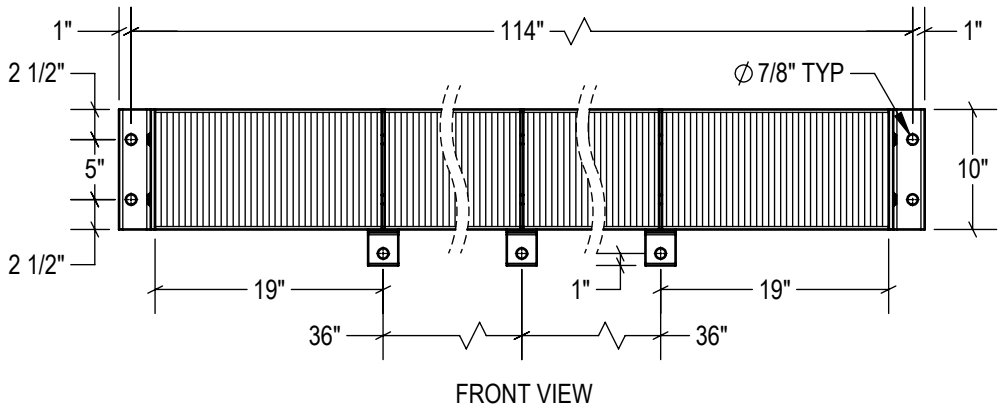
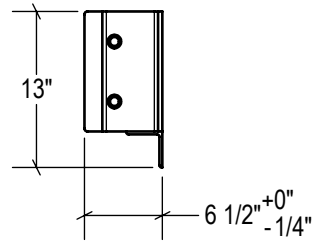
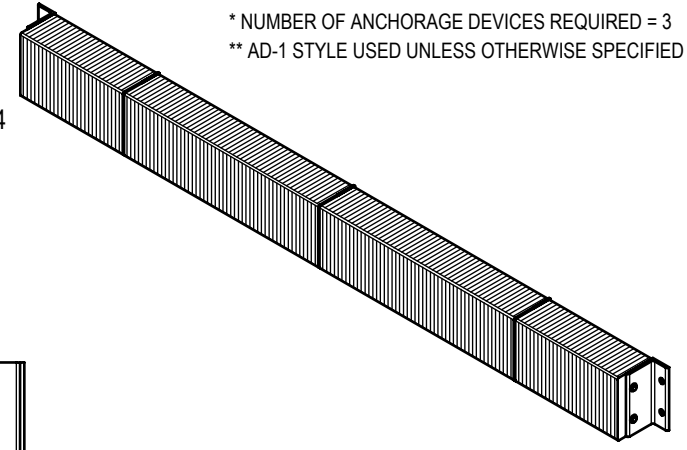
P2 CONFIG.  
 model #: LB610-114/P2  
 part #: 24-1097  
 Welded (2) Sides

P1 CONFIG.  
 model #: LB610-114/P1  
 part #: 24-1096  
 Welded (1) Side

STANDARD  
 model #: LB610-114  
 part #: 24-1095  
 Bolted (2) Sides



\* NUMBER OF ANCHORAGE DEVICES REQUIRED = 3  
 \*\* AD-1 STYLE USED UNLESS OTHERWISE SPECIFIED



ESTIMATED GROSS SHIPPING WEIGHT = 324 LBS

SPECIFICATIONS:  
 FURNISH AND INSTALL LAMINATED RUBBER DOCK BUMPERS AS MANUFACTURED BY IDEAL WAREHOUSE INNOVATIONS, INC. LAMINATED PADS SHALL BE MADE FROM REINFORCED TRUCK TIRES CUT TO 6.125" x 10" PUNCHED AND ASSEMBLED THROUGH 3/4" RODS BETWEEN 3" x 5" x 3/8" STRUCTURAL STEEL UNDER 1, 500LBS OF PRESSURE. FINISH OF EXPOSED METAL SHALL BE PAINTED WITH WATER-BASED AND LEAD-FREE PAINT OR HOT-DIPPED GALVANIZED (OPTIONAL).

ALL DIMENSIONS ARE ±1/8" UNLESS SPECIFIED OTHERWISE

DRAWN BY:  
**T.CHUNG**

DATE:  
**2018-12-19**

CHECKED BY:

DATE:

THE INFORMATION CONTAINED IN THIS DRAWING IS THE SOLE PROPERTY OF IDEAL WAREHOUSE INNOVATIONS INC. ANY REPRODUCTION IN PART OR AS A WHOLE IS PROHIBITED.

3rd Angle	SIZE: <b>A</b>		
	DESCRIPTION: <b>LAMINATED RUBBER BUMPER LB610-114</b>		
SCALE: <b>1:16</b>	SHEETS: <b>1 of 1</b>	DRAWING NUMBER: <b>MKT_LB610-114</b>	REV: <b>1</b>