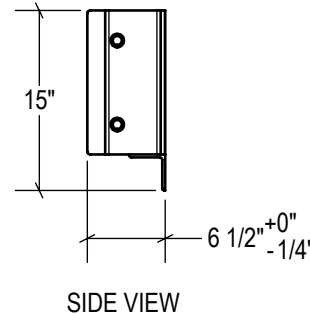
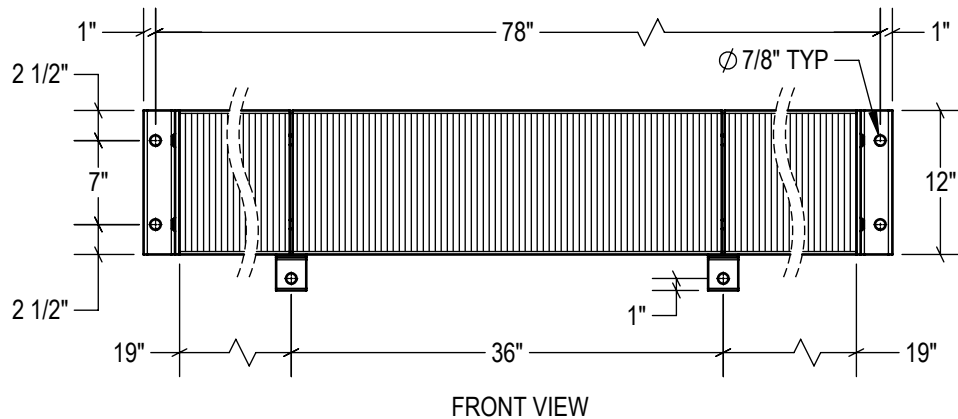
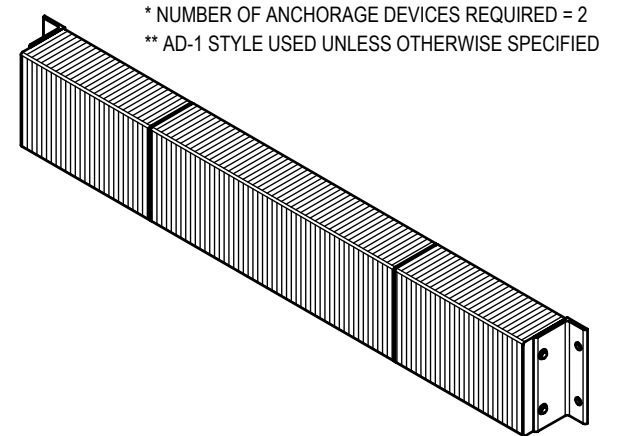
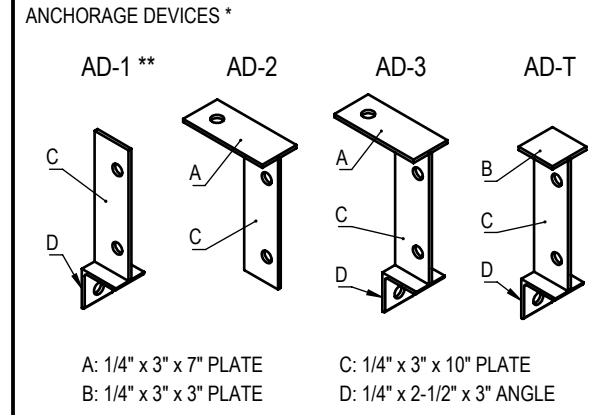


P2 CONFIG.
 model #: LB612-078/P2
 part #: 24-7108
 Welded (2) Sides

P1 CONFIG.
 model #: LB612-078/P1
 part #: 24-7107
 Welded (1) Side

STANDARD
 model #: LB612-078
 part #: 24-7106
 Bolted (2) Sides



ESTIMATED GROSS SHIPPING WEIGHT = 265 LBS

SPECIFICATIONS:

FURNISH AND INSTALL LAMINATED RUBBER DOCK BUMPERS AS MANUFACTURED BY IDEAL WAREHOUSE INNOVATIONS, INC. LAMINATED PADS SHALL BE MADE FROM REINFORCED TRUCK TIRES CUT TO 6.125" x 12" PUNCHED AND ASSEMBLED THROUGH 3/4" RODS BETWEEN 3" x 5" x 3/8" STRUCTURAL STEEL UNDER 1, 500LBS OF PRESSURE. FINISH OF EXPOSED METAL SHALL BE PAINTED WITH WATER-BASED AND LEAD-FREE PAINT OR HOT-DIPPED GALVANIZED (OPTIONAL).

ALL DIMENSIONS ARE ±1/8" UNLESS SPECIFIED OTHERWISE

DRAWN BY:
T.CHUNG

DATE:
2018-12-19

CHECKED BY:

DATE:

THE INFORMATION CONTAINED IN THIS DRAWING IS THE SOLE PROPERTY OF IDEAL WAREHOUSE INNOVATIONS INC. ANY REPRODUCTION IN PART OR AS A WHOLE IS PROHIBITED.



SIZE:
A



IDEAL WAREHOUSE INNOVATIONS INC

DESCRIPTION:
LAMINATED RUBBER BUMPER LB612-078

SCALE: 1:16	SHEETS: 1 of 1	DRAWING NUMBER: MKT_LB612-078	REV: 1
-----------------------	--------------------------	---	------------------