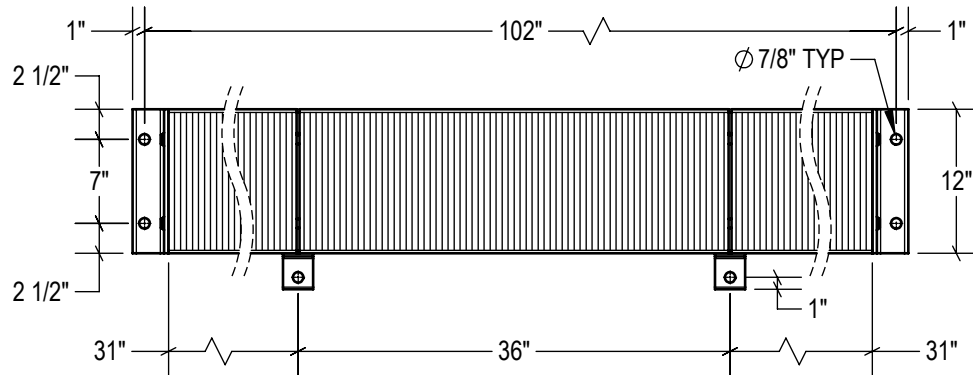
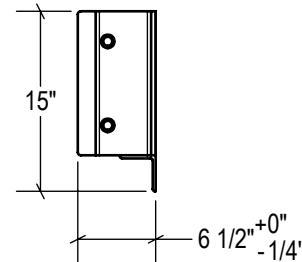


TOP VIEW



FRONT VIEW



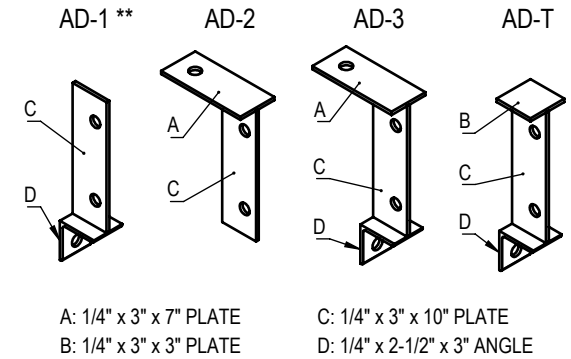
SIDE VIEW

P2 CONFIG.
model #: LB612-102/P2
part #: 24-7114
Welded (2) Sides

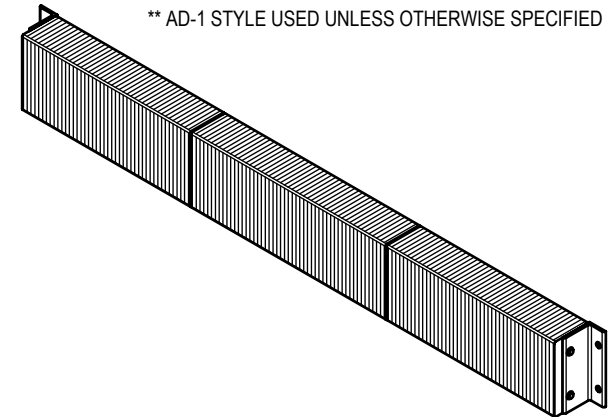
P1 CONFIG.
model #: LB612-102/P1
part #: 24-7113
Welded (1) Side

STANDARD
model #: LB612-102
part #: 24-7112
Bolted (2) Sides

ANCHORAGE DEVICES *



* NUMBER OF ANCHORAGE DEVICES REQUIRED = 2
** AD-1 STYLE USED UNLESS OTHERWISE SPECIFIED



ESTIMATED GROSS SHIPPING WEIGHT = 345 LBS

SPECIFICATIONS:

FURNISH AND INSTALL LAMINATED RUBBER DOCK BUMPERS AS MANUFACTURED BY IDEAL WAREHOUSE INNOVATIONS, INC. LAMINATED PADS SHALL BE MADE FROM REINFORCED TRUCK TIRES CUT TO 6.125" x 12" PUNCHED AND ASSEMBLED THROUGH 3/4" RODS BETWEEN 3" x 5" x 3/8" STRUCTURAL STEEL UNDER 1, 500LBS OF PRESSURE. FINISH OF EXPOSED METAL SHALL BE PAINTED WITH WATER-BASED AND LEAD-FREE PAINT OR HOT-DIPPED GALVANIZED (OPTIONAL).

ALL DIMENSIONS ARE ±1/8" UNLESS SPECIFIED OTHERWISE

DRAWN BY:

T.CHUNG

CHECKED BY:

DATE:

19/12/2018

DATE:

THE INFORMATION CONTAINED IN THIS DRAWING IS THE SOLE PROPERTY OF IDEAL WAREHOUSE INNOVATIONS INC. ANY REPRODUCTION IN PART OR AS A WHOLE IS PROHIBITED.



3rd Angle

SIZE:

A



IDEAL WAREHOUSE INNOVATIONS INC

DESCRIPTION:

LAMINATED RUBBER BUMPER LB612-102

SCALE:

1:16

SHEETS:

1 of 1

DRAWING NUMBER:

MKT_LB612-102

REV:

1