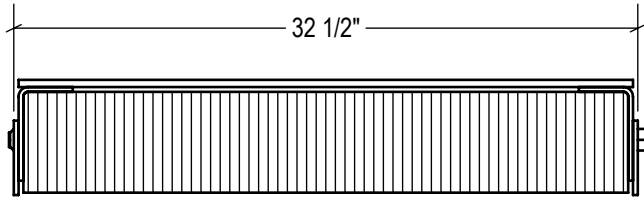
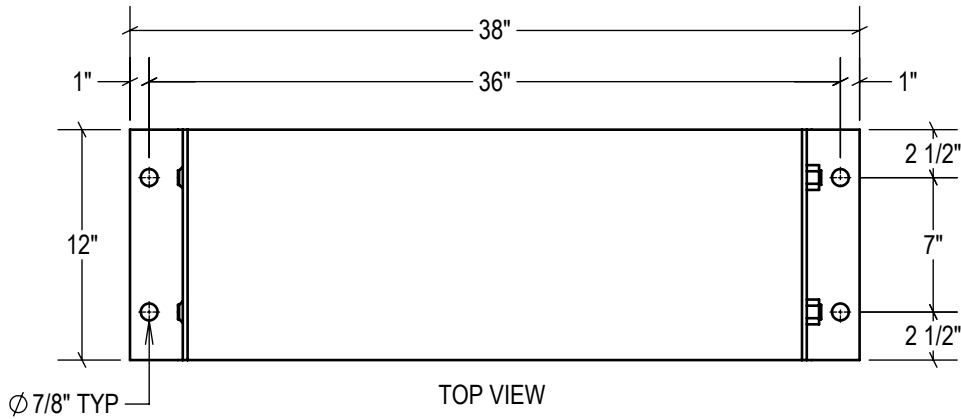


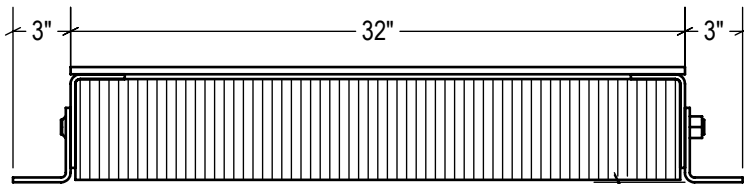
P1 CONFIG.



P2 CONFIG.

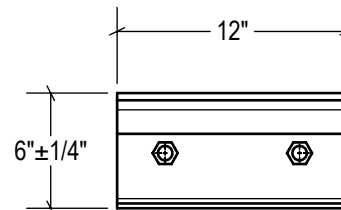


TOP VIEW



FRONT VIEW

1/8" GAP

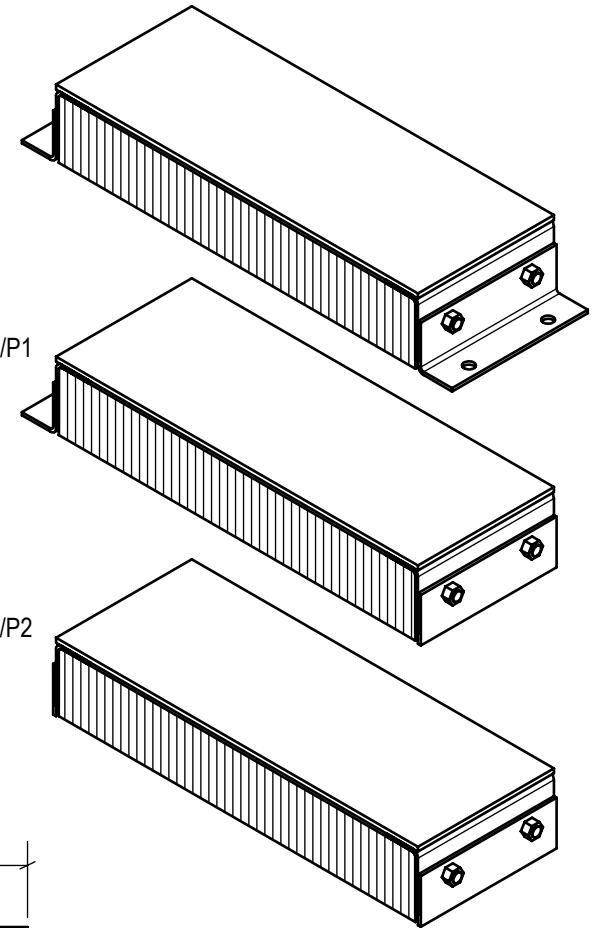


SIDE VIEW

STANDARD  
model #: LB612-36SF  
part #: 22-2009  
Bolted (2) Sides

P1 CONFIG.  
model #: LB612-36SF/P1  
part #: 22-2010  
Welded (1) Side

P2 CONFIG.  
model #: LB612-36SF/P2  
part #: 22-2011  
Welded (2) Sides



ESTIMATED GROSS SHIPPING WEIGHT = 153 LBS

**SPECIFICATIONS:**

FURNISH AND INSTALL STEEL-FACED LAMINATED RUBBER DOCK BUMPERS AS MANUFACTURED BY IDEAL WAREHOUSE INNOVATIONS, INC. LAMINATED PADS SHALL BE MADE FROM RECYCLED CONVEYOR BELTING AND TIRE RUBBER CUT TO 5.25" x 12" PUNCHED AND ASSEMBLED THROUGH 3/4" RODS BETWEEN 3" x 5" x 1/4" FORMED STEEL UNDER 1,500LBS OF PRESSURE. FINISH OF EXPOSED METAL SHALL BE PAINTED WITH WATER-BASED AND LEAD-FREE PAINT OR HOT-DIPPED GALVANIZED (OPTIONAL).

ALL DIMENSIONS ARE ± 1/8" UNLESS SPECIFIED OTHERWISE

DRAWN BY:

**T.CHUNG**

CHECKED BY:

DATE:

**2019-02-12**

DATE:

THE INFORMATION CONTAINED IN THIS DRAWING IS THE SOLE PROPERTY OF IDEAL WAREHOUSE INNOVATIONS INC. ANY REPRODUCTION IN PART OR AS A WHOLE IS PROHIBITED.



3rd Angle

SIZE:

**A**



**IDEAL WAREHOUSE INNOVATIONS INC**

DESCRIPTION:  
**STEEL-FACED LAMINATED BUMPER LB612-36SF**

SCALE: <b>1:10</b>	SHEETS: <b>1 of 1</b>	DRAWING NUMBER: <b>MKT_LB612-36SF</b>	REV: <b>1</b>
-----------------------	--------------------------	--	------------------