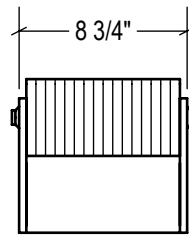
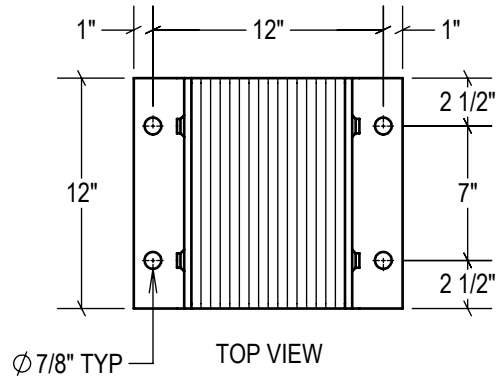


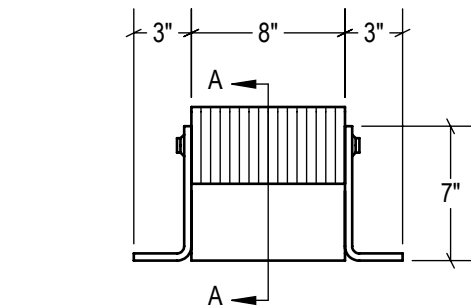
P1 CONFIG.



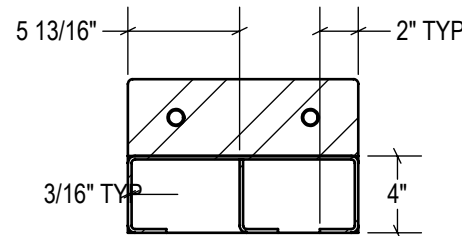
P2 CONFIG.



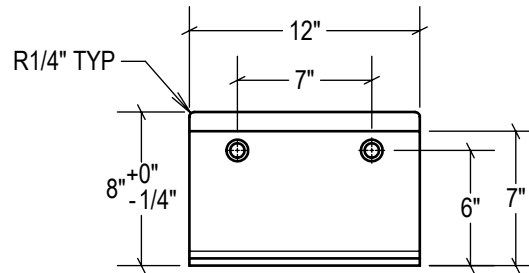
TOP VIEW



FRONT VIEW

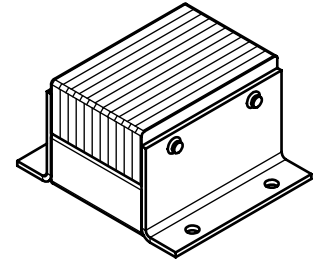


SECTION A-A

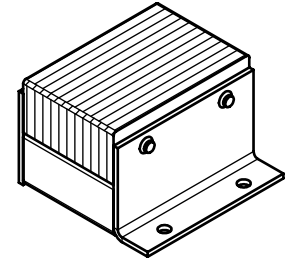


SIDE VIEW

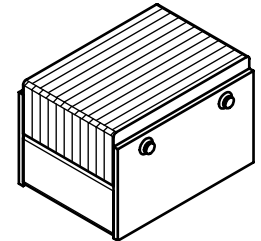
STANDARD  
model #: LB812-12  
part #: 24-3000  
Bolted (2) Sides



P1 CONFIG.  
model #: LB812-12/P1  
part #: 24-3001  
Welded (1) Side



P2 CONFIG.  
model #: LB812-12/P2  
part #: 24-3002  
Welded (2) Sides



ESTIMATED GROSS SHIPPING WEIGHT = 53 LBS

**SPECIFICATIONS:**

FURNISH AND INSTALL LAMINATED RUBBER DOCK BUMPERS AS MANUFACTURED BY IDEAL WAREHOUSE INNOVATIONS, INC. LAMINATED PADS SHALL BE MADE FROM REINFORCED TRUCK TIRES CUT TO 4.125" x 12" PUNCHED AND ASSEMBLED THROUGH 3/4" RODS BETWEEN FORMED 3/8" THICK STEEL UNDER 1,500LBS OF PRESSURE. FINISH OF EXPOSED METAL SHALL BE PAINTED WITH WATER-BASED AND LEAD-FREE PAINT OR HOT-DIPPED GALVANIZED (OPTIONAL).

ALL DIMENSIONS ARE ± 1/8" UNLESS SPECIFIED OTHERWISE

DRAWN BY:

**T.CHUNG**

DATE:

**2018-12-12**

CHECKED BY:

DATE:

THE INFORMATION CONTAINED IN THIS DRAWING IS THE SOLE PROPERTY OF IDEAL WAREHOUSE INNOVATIONS INC. ANY REPRODUCTION IN PART OR AS A WHOLE IS PROHIBITED.



3rd Angle

SIZE:

**A**



**IDEAL WAREHOUSE INNOVATIONS INC**

DESCRIPTION:

**LAMINATED RUBBER BUMPER LB812-12**

SCALE:

**1:10**

SHEETS:

**1 of 1**

DRAWING NUMBER:

**MKT\_LB812-12**

REV:

**1**