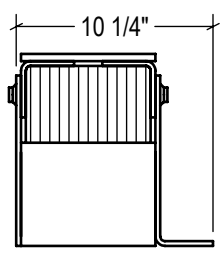
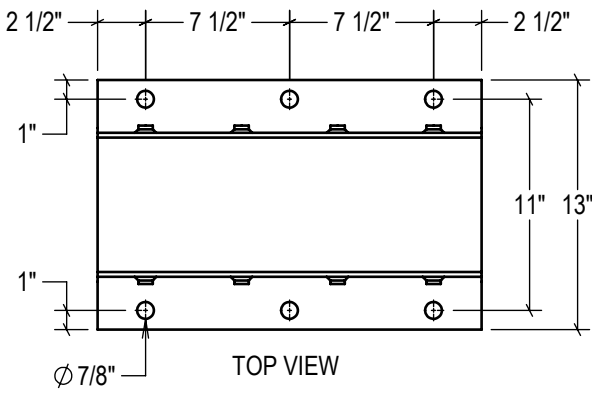
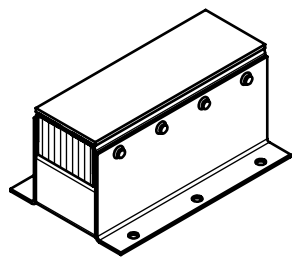


SECTION A-A

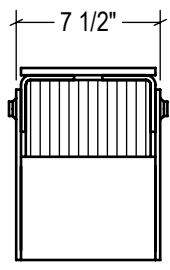


P1 CONFIG.

STANDARD
model #: LVB1020-11SF
part #: 22-4100
Bolted (2) Sides

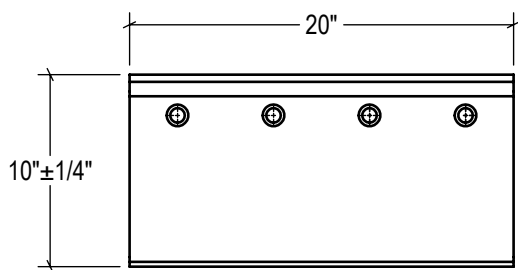
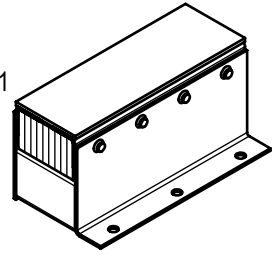


TOP VIEW

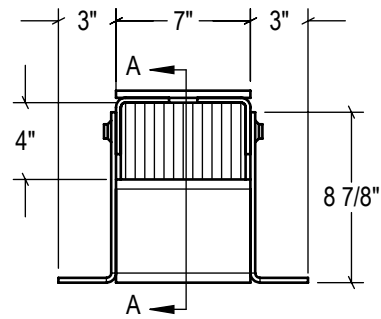


P2 CONFIG.

P1 CONFIG.
model #: LVB1020-11SF/P1
part #: 22-4101
Welded (1) Side

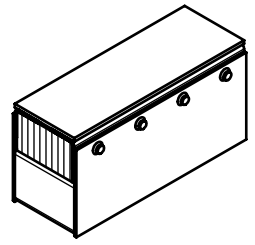


FRONT VIEW



SIDE VIEW

P2 CONFIG.
model #: LVB1020-11SF/P2
part #: 22-4102
Welded (2) Sides



ESTIMATED GROSS SHIPPING WEIGHT = 109 LBS

SPECIFICATIONS:
FURNISH AND INSTALL STEEL-FACED LAMINATED RUBBER DOCK BUMPERS AS MANUFACTURED BY IDEAL WAREHOUSE INNOVATIONS, INC. LAMINATED PADS SHALL BE MADE FROM RECYCLED CONVEYOR BELTING AND TIRE RUBBER CUT TO 4.125" x 10" PUNCHED AND ASSEMBLED THROUGH 3/4" RODS BETWEEN FORMED 1/4" THICK STEEL UNDER 1,500LBS OF PRESSURE. FINISH OF EXPOSED METAL SHALL BE PAINTED WITH WATER-BASED AND LEAD-FREE PAINT OR HOT-DIPPED GALVANIZED (OPTIONAL).

ALL DIMENSIONS ARE ±1/8" UNLESS SPECIFIED OTHERWISE

DRAWN BY:
T.CHUNG

DATE:
2018-12-12

CHECKED BY:

DATE:

THE INFORMATION CONTAINED IN THIS DRAWING IS THE SOLE PROPERTY OF IDEAL WAREHOUSE INNOVATIONS INC. ANY REPRODUCTION IN PART OR AS A WHOLE IS PROHIBITED.

3rd Angle
SIZE:
A



DESCRIPTION:
STEEL-FACED LAMINATED RUBBER BUMPER LVB1020-11SF

| | | | |
|-----------------------|--------------------------|--|------------------|
| SCALE: 1:10 | SHEETS: 1 of 1 | DRAWING NUMBER: MKT_LVB1020-11SF | REV: 1 |
|-----------------------|--------------------------|--|------------------|