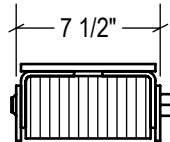
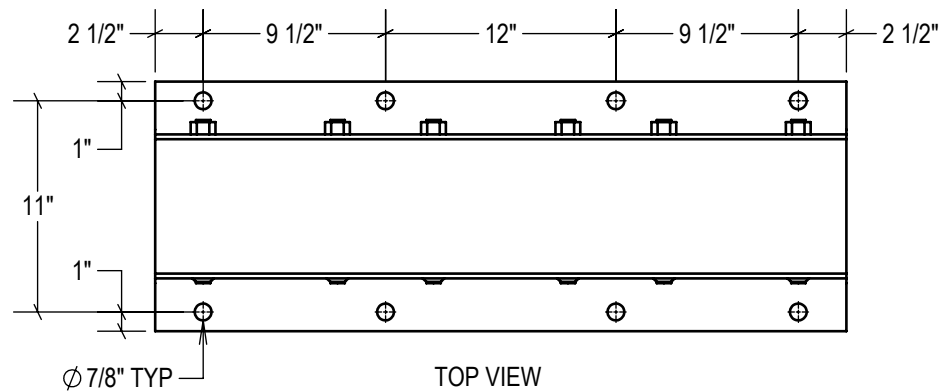


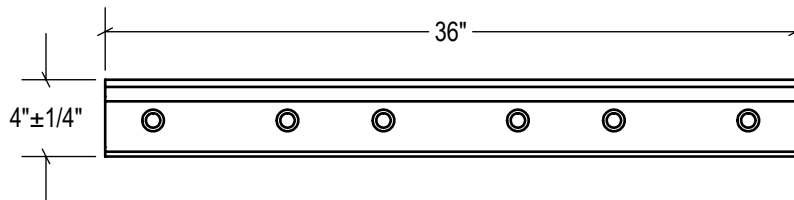
P1 CONFIG.



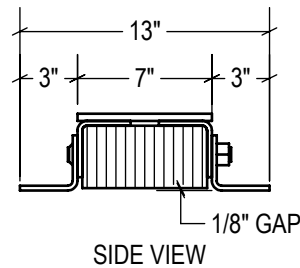
P2 CONFIG.



TOP VIEW

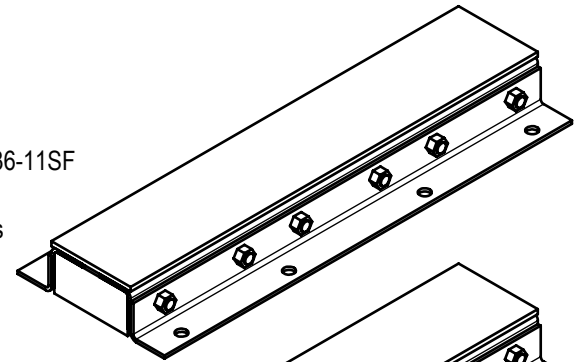


FRONT VIEW

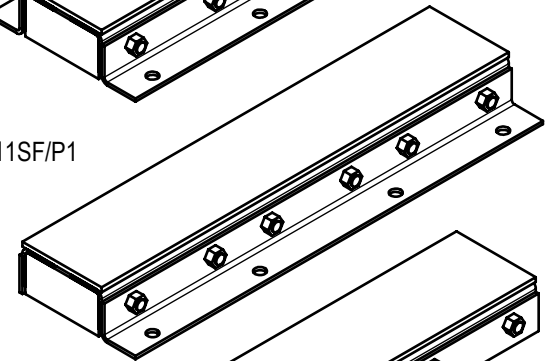


SIDE VIEW

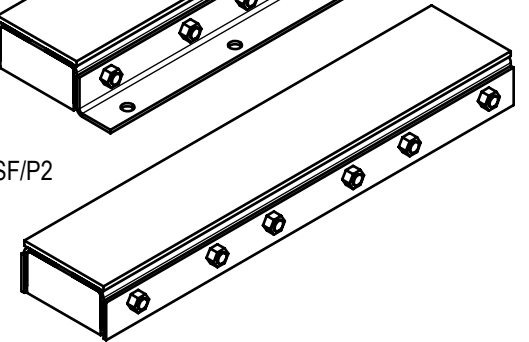
STANDARD
model #: LVB436-11SF
part #: 22-1106
Bolted (2) Sides



P1 CONFIG.
model #: LVB436-11SF/P1
part #: 22-1107
Welded (1) Side



P2 CONFIG.
model #: LVB436-11SF/P2
part #: 22-1108
Welded (2) Sides



ESTIMATED GROSS SHIPPING WEIGHT = 118 LBS

SPECIFICATIONS:

FURNISH AND INSTALL STEEL-FACED LAMINATED RUBBER DOCK BUMPERS AS MANUFACTURED BY IDEAL WAREHOUSE INNOVATIONS, INC. LAMINATED PADS SHALL BE MADE FROM RECYCLED CONVEYOR BELTING AND TIRE RUBBER CUT TO 3.25" x 12" PUNCHED AND ASSEMBLED THROUGH 3/4" RODS BETWEEN 3" x 3" x 1/4" FORMED STEEL UNDER 1,500LBS OF PRESSURE. FINISH OF EXPOSED METAL SHALL BE PAINTED WITH WATER-BASED AND LEAD-FREE PAINT OR HOT-DIPPED GALVANIZED (OPTIONAL).

ALL DIMENSIONS ARE ± 1/8" UNLESS SPECIFIED OTHERWISE

DRAWN BY:
T.CHUNG

DATE:
2018-12-12

CHECKED BY:

DATE:

THE INFORMATION CONTAINED IN THIS DRAWING IS THE SOLE PROPERTY OF IDEAL WAREHOUSE INNOVATIONS INC. ANY REPRODUCTION IN PART OR AS A WHOLE IS PROHIBITED.



3rd Angle

SIZE:
A



IDEAL WAREHOUSE INNOVATIONS INC

DESCRIPTION:
STEEL-FACED LAMINATED BUMPER LVB436-11SF

| | | | |
|-----------------------|--------------------------|---|------------------|
| SCALE: 1:10 | SHEETS: 1 of 1 | DRAWING NUMBER: MKT_LVB436-11SF | REV: 1 |
|-----------------------|--------------------------|---|------------------|