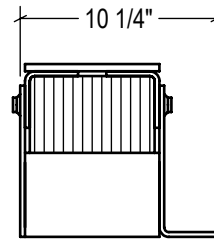
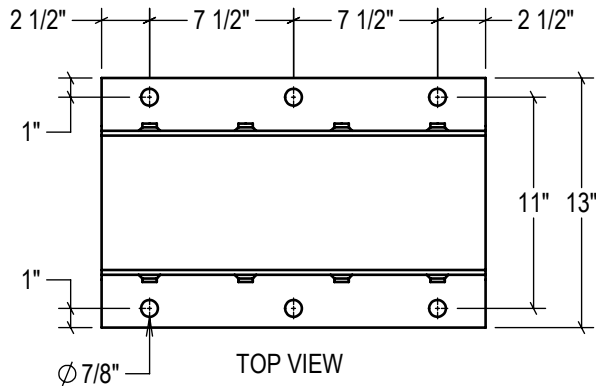
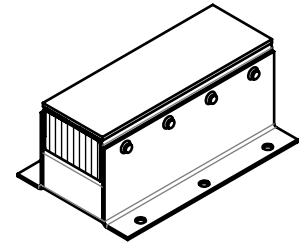


SECTION A-A

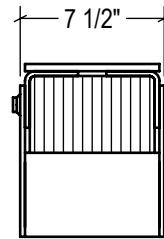


P1 CONFIG.

STANDARD
model #: LVB920-11SF
part #: 22-5001
Bolted (2) Sides

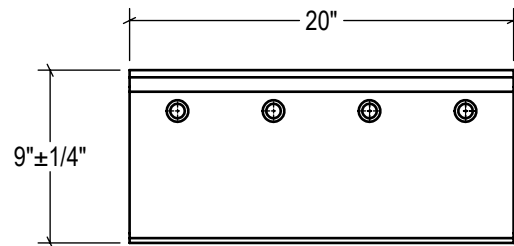
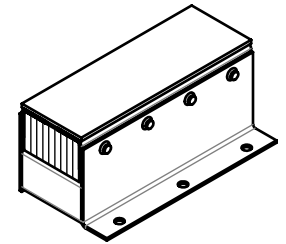


TOP VIEW

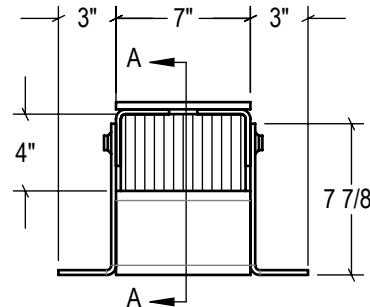


P2 CONFIG.

P1 CONFIG.
model #: LVB920-11SF/P1
part #: 22-5010
Welded (1) Side

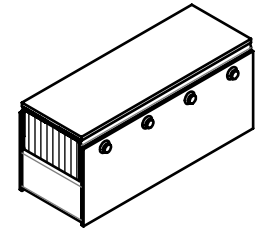


FRONT VIEW



SIDE VIEW

P2 CONFIG.
model #: LVB920-11SF/P2
part #: 22-5020
Welded (2) Sides



ESTIMATED GROSS SHIPPING WEIGHT = 104 LBS

SPECIFICATIONS:

FURNISH AND INSTALL STEEL-FACED LAMINATED RUBBER DOCK BUMPERS AS MANUFACTURED BY IDEAL WAREHOUSE INNOVATIONS, INC. LAMINATED PADS SHALL BE MADE FROM RECYCLED CONVEYOR BELTING AND TIRE RUBBER CUT TO 4.125" x 10" PUNCHED AND ASSEMBLED THROUGH 3/4" RODS BETWEEN FORMED 1/4" THICK STEEL UNDER 1,500LBS OF PRESSURE. FINISH OF EXPOSED METAL SHALL BE PAINTED WITH WATER-BASED AND LEAD-FREE PAINT OR HOT-DIPPED GALVANIZED (OPTIONAL).

ALL DIMENSIONS ARE ± 1/8" UNLESS SPECIFIED OTHERWISE

DRAWN BY:

T.CHUNG

DATE:

12/12/2018

CHECKED BY:

DATE:

THE INFORMATION CONTAINED IN THIS DRAWING IS THE SOLE PROPERTY OF IDEAL WAREHOUSE INNOVATIONS INC. ANY REPRODUCTION IN PART OR AS A WHOLE IS PROHIBITED.



3rd Angle

SIZE:

A



IDEAL WAREHOUSE INNOVATIONS INC

DESCRIPTION:

STEEL-FACED LAMINATED RUBBER BUMPER LVB920-11SF

SCALE:

1:10

SHEETS:

1 of 1

DRAWING NUMBER:

MKT_LVB920-11SF

REV:

1