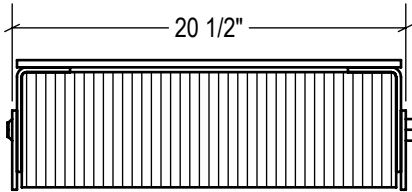
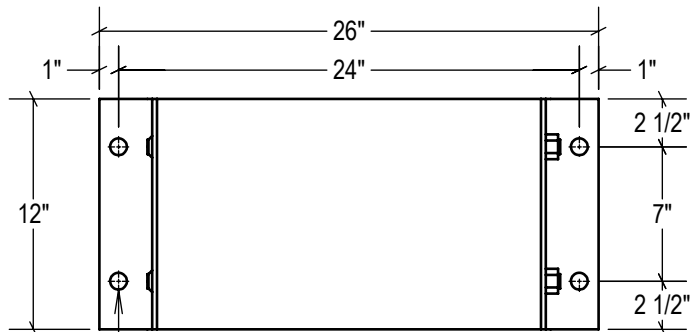


P1 CONFIG.

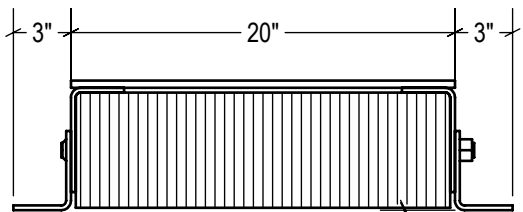


P2 CONFIG.



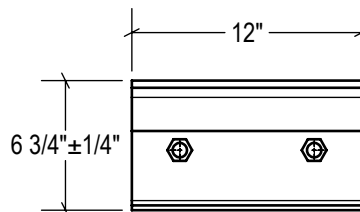
TOP VIEW

Ø 7/8" TYP



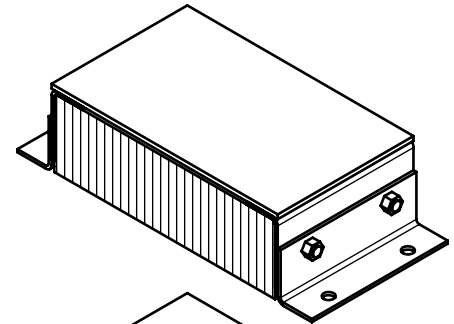
FRONT VIEW

1/8" GAP

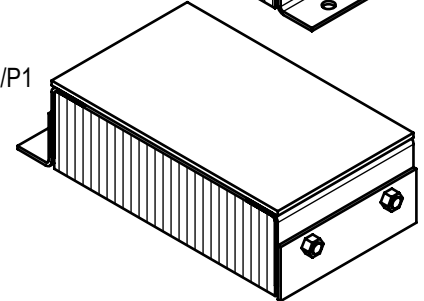


SIDE VIEW

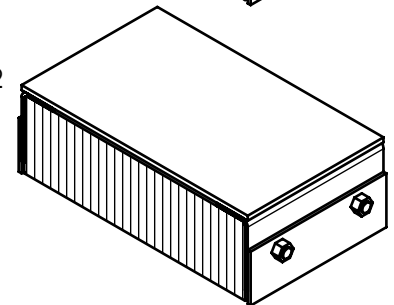
STANDARD  
model #: TB612-24SF  
part #: 22-6126  
Bolted (2) Sides



P1 CONFIG.  
model #: TB612-24SF/P1  
part #: 22-6127  
Welded (1) Side



P2 CONFIG.  
model #: TB612-24SF/P2  
part #: 22-6128  
Welded (2) Sides



ESTIMATED GROSS SHIPPING WEIGHT = 112 LBS

**SPECIFICATIONS:**

FURNISH AND INSTALL STEEL-FACED LAMINATED RUBBER DOCK BUMPERS AS MANUFACTURED BY IDEAL WAREHOUSE INNOVATIONS, INC. LAMINATED PADS SHALL BE MADE FROM RECYCLED CONVEYOR BELTING AND TIRE RUBBER CUT TO 6.125" x 12" PUNCHED AND ASSEMBLED THROUGH 3/4" RODS BETWEEN 3" x 5" x 1/4" FORMED STEEL UNDER 1,500LBS OF PRESSURE. FINISH OF EXPOSED METAL SHALL BE PAINTED WITH WATER-BASED AND LEAD-FREE PAINT OR HOT-DIPPED GALVANIZED (OPTIONAL).

ALL DIMENSIONS ARE ± 1/8" UNLESS SPECIFIED OTHERWISE

DRAWN BY:

**T.CHUNG**

DATE:

**12/12/2018**

CHECKED BY:

DATE:

THE INFORMATION CONTAINED IN THIS DRAWING IS THE SOLE PROPERTY OF IDEAL WAREHOUSE INNOVATIONS INC. ANY REPRODUCTION IN PART OR AS A WHOLE IS PROHIBITED.



3rd Angle

SIZE:

**A**



**IDEAL WAREHOUSE INNOVATIONS INC**

DESCRIPTION:  
**STEEL-FACED LAMINATED BUMPER TB612-24SF**

SCALE: <b>1:10</b>	SHEETS: <b>1 of 1</b>	DRAWING NUMBER: <b>MKT_TB612-24SF</b>	REV: <b>1</b>
-----------------------	--------------------------	------------------------------------------	------------------