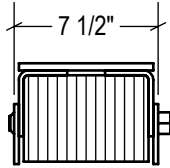
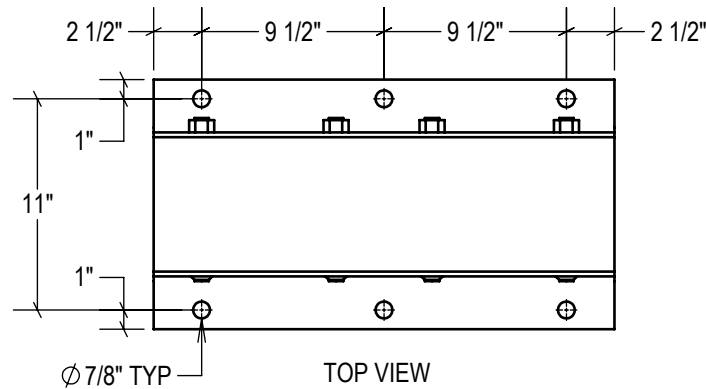


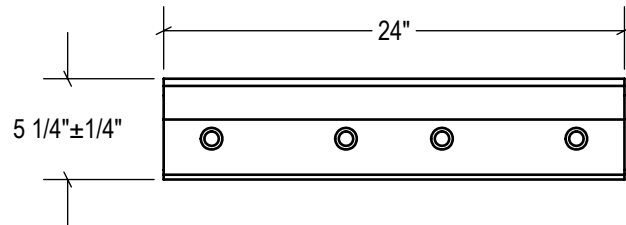
P1 CONFIG.



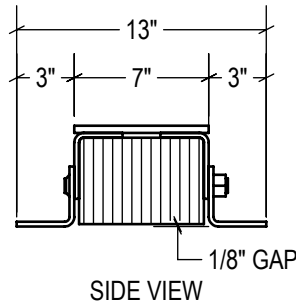
P2 CONFIG.



TOP VIEW

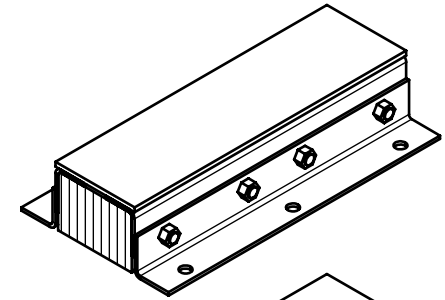


FRONT VIEW

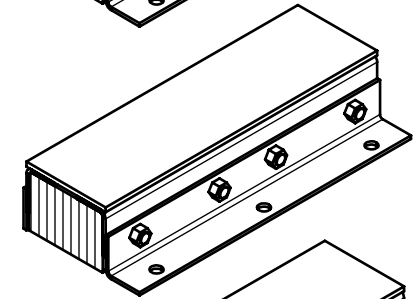


SIDE VIEW

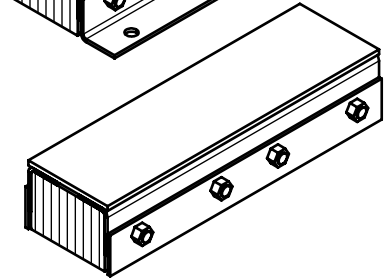
STANDARD
model #: TVB424-11SF
part #: 22-6043
Bolted (2) Sides



P1 CONFIG.
model #: TVB424-11SF/P1
part #: 22-6044
Welded (1) Side



P2 CONFIG.
model #: TVB424-11SF/P2
part #: 22-6045
Welded (2) Sides



ESTIMATED GROSS SHIPPING WEIGHT = 88 LBS

SPECIFICATIONS:

FURNISH AND INSTALL STEEL-FACED LAMINATED RUBBER DOCK BUMPERS AS MANUFACTURED BY IDEAL WAREHOUSE INNOVATIONS, INC. LAMINATED PADS SHALL BE MADE FROM RECYCLED CONVEYOR BELTING AND TIRE RUBBER CUT TO 4.125" x 12" PUNCHED AND ASSEMBLED THROUGH 3/4" RODS BETWEEN 3" x 3" x 1/4" FORMED STEEL UNDER 1,500LBS OF PRESSURE. FINISH OF EXPOSED METAL SHALL BE PAINTED WITH WATER-BASED AND LEAD-FREE PAINT OR HOT-DIPPED GALVANIZED (OPTIONAL).

ALL DIMENSIONS ARE ± 1/8" UNLESS SPECIFIED OTHERWISE

DRAWN BY:

T.CHUNG

DATE:

2018-12-12

CHECKED BY:

DATE:

THE INFORMATION CONTAINED IN THIS DRAWING IS THE SOLE PROPERTY OF IDEAL WAREHOUSE INNOVATIONS INC. ANY REPRODUCTION IN PART OR AS A WHOLE IS PROHIBITED.



3rd Angle

SIZE:

A



**IDEAL WAREHOUSE
INNOVATIONS INC**

DESCRIPTION:

STEEL-FACED LAMINATED BUMPER TVB424-11SF

SCALE:

1:10

SHEETS:

1 of 1

DRAWING NUMBER:

MKT_TV424-11SF

REV:

1