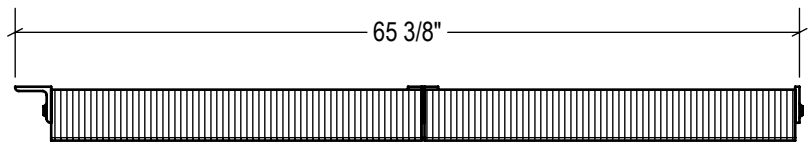
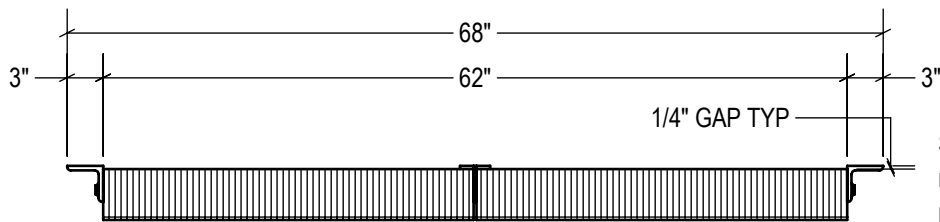


P2 CONFIG.
model #: LB410-066/P2
part #: 24-1064
Bolted (2) Sides

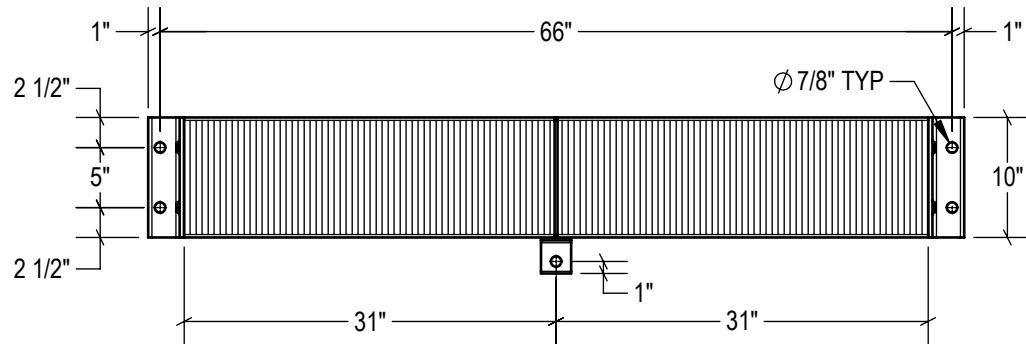


P1 CONFIG.
model #: LB410-066/P1
part #: 24-1063
Bolted (2) Sides

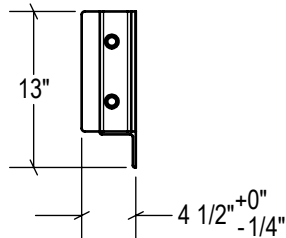


STANDARD
model #: LB410-066
part #: 24-1062
Bolted (2) Sides

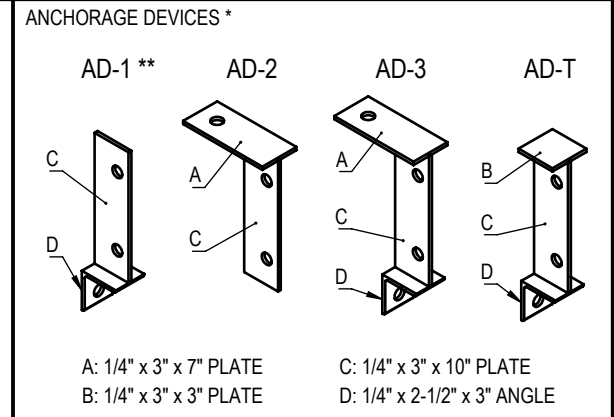
TOP VIEW



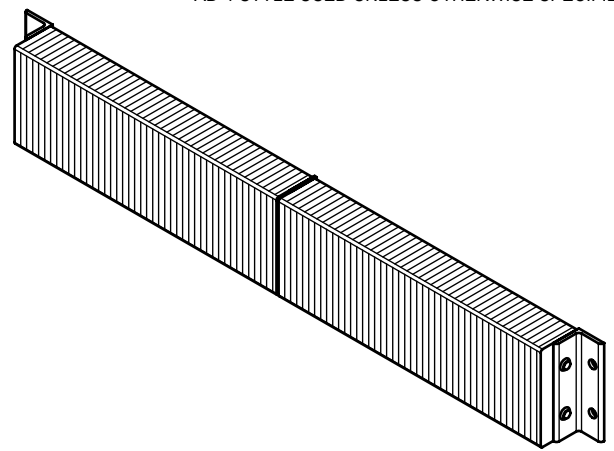
FRONT VIEW



SIDE VIEW



* NUMBER OF ANCHORAGE DEVICES REQUIRED = 1
** AD-1 STYLE USED UNLESS OTHERWISE SPECIFIED



ESTIMATED GROSS SHIPPING WEIGHT = 134 LBS

SPECIFICATIONS:
FURNISH AND INSTALL LAMINATED RUBBER DOCK BUMPERS AS MANUFACTURED BY IDEAL WAREHOUSE INNOVATIONS, INC. LAMINATED PADS SHALL BE MADE FROM REINFORCED TRUCK TIRES CUT TO 4.125" x 10" PUNCHED AND ASSEMBLED THROUGH 3/4" RODS BETWEEN 3" x 3" x 3/8" STRUCTURAL STEEL UNDER 1,500LBS OF PRESSURE. FINISH OF EXPOSED METAL SHALL BE PAINTED WITH WATER-BASED AND LEAD-FREE PAINT OR HOT-DIPPED GALVANIZED (OPTIONAL).

ALL DIMENSIONS ARE ±1/8" UNLESS SPECIFIED OTHERWISE

DRAWN BY: **T.CHUNG** DATE: **2018-12-19**
CHECKED BY: DATE:
THE INFORMATION CONTAINED IN THIS DRAWING IS THE SOLE PROPERTY OF IDEAL WAREHOUSE INNOVATIONS INC. ANY REPRODUCTION IN PART OR AS A WHOLE IS PROHIBITED.

3rd Angle	SIZE:	A			
	DESCRIPTION:	LAMINATED RUBBER BUMPER LB410-066			
SCALE:	SHEETS:	DRAWING NUMBER:	REV:		
1:16	1 of 1	MKT_LB410-066	1a		