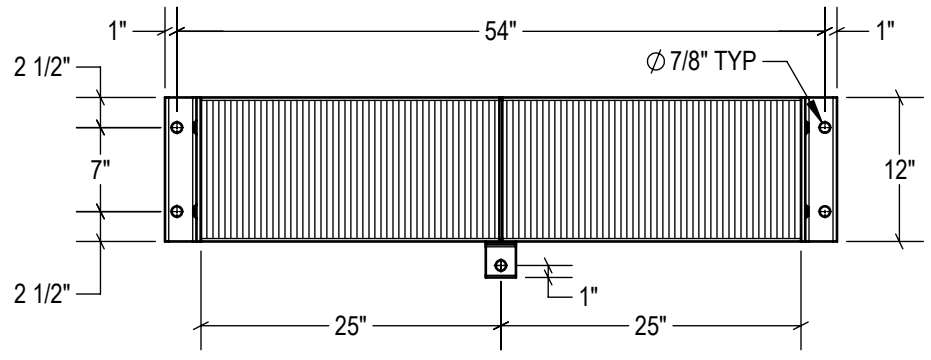


P2 CONFIG.  
 model #: LB412-054/P2  
 part #: 24-7002  
 Welded (2) Sides

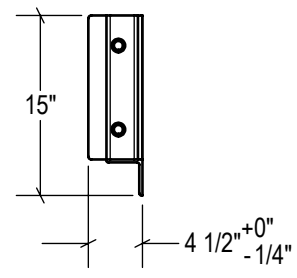
P1 CONFIG.  
 model #: LB412-054/P1  
 part #: 24-7001  
 Welded (1) Side

STANDARD  
 model #: LB412-054  
 part #: 24-7000  
 Bolted (2) Sides

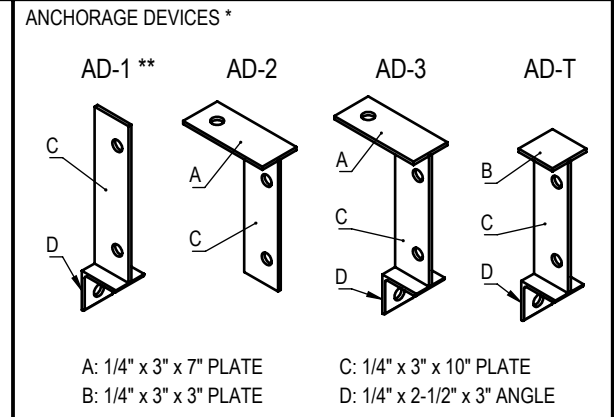
TOP VIEW



FRONT VIEW

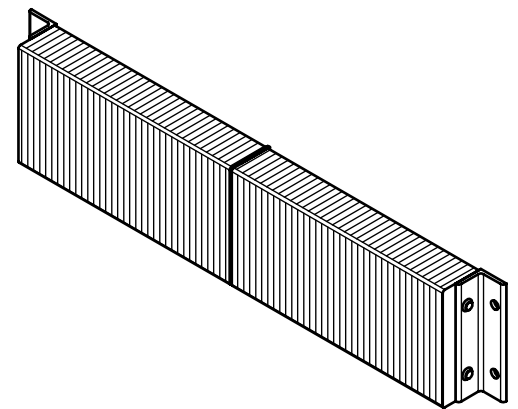


SIDE VIEW



A: 1/4" x 3" x 7" PLATE  
 B: 1/4" x 3" x 3" PLATE  
 C: 1/4" x 3" x 10" PLATE  
 D: 1/4" x 2-1/2" x 3" ANGLE

\* NUMBER OF ANCHORAGE DEVICES REQUIRED = 1  
 \*\* AD-1 STYLE USED UNLESS OTHERWISE SPECIFIED



ESTIMATED GROSS SHIPPING WEIGHT = 130 LBS

**SPECIFICATIONS:**  
 FURNISH AND INSTALL LAMINATED RUBBER DOCK BUMPERS AS MANUFACTURED BY IDEAL WAREHOUSE INNOVATIONS, INC. LAMINATED PADS SHALL BE MADE FROM REINFORCED TRUCK TIRES CUT TO 4.125" x 12" PUNCHED AND ASSEMBLED THROUGH 3/4" RODS BETWEEN 3" x 3" x 3/8" STRUCTURAL STEEL UNDER 1, 500LBS OF PRESSURE. FINISH OF EXPOSED METAL SHALL BE PAINTED WITH WATER-BASED AND LEAD-FREE PAINT OR HOT-DIPPED GALVANIZED (OPTIONAL).

ALL DIMENSIONS ARE ±1/8" UNLESS SPECIFIED OTHERWISE

**DRAWN BY:** T.CHUNG  
**DATE:** 2018-12-19

**CHECKED BY:**  
**DATE:**

THE INFORMATION CONTAINED IN THIS DRAWING IS THE SOLE PROPERTY OF IDEAL WAREHOUSE INNOVATIONS INC. ANY REPRODUCTION IN PART OR AS A WHOLE IS PROHIBITED.

3rd Angle	<b>SIZE:</b> <b>A</b>		
	<b>DESCRIPTION:</b> <b>LAMINATED RUBBER BUMPER LB412-054</b>		
<b>SCALE:</b> <b>1:16</b>	<b>SHEETS:</b> <b>1 of 1</b>	<b>DRAWING NUMBER:</b> <b>MKT_LB412-054</b>	<b>REV:</b> <b>1a</b>