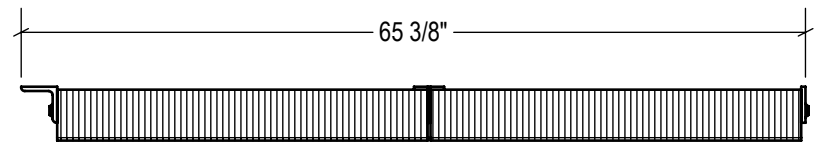
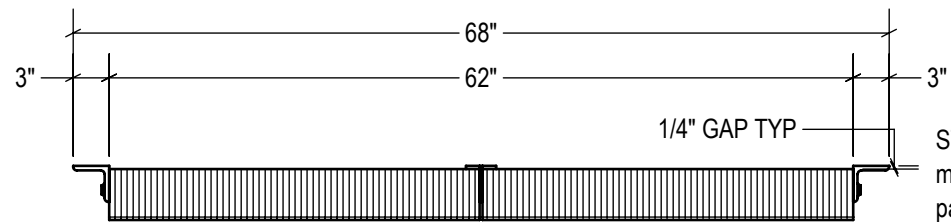


P2 CONFIG.  
model #: LB412-066/P2  
part #: 24-7005  
Welded (2) Sides

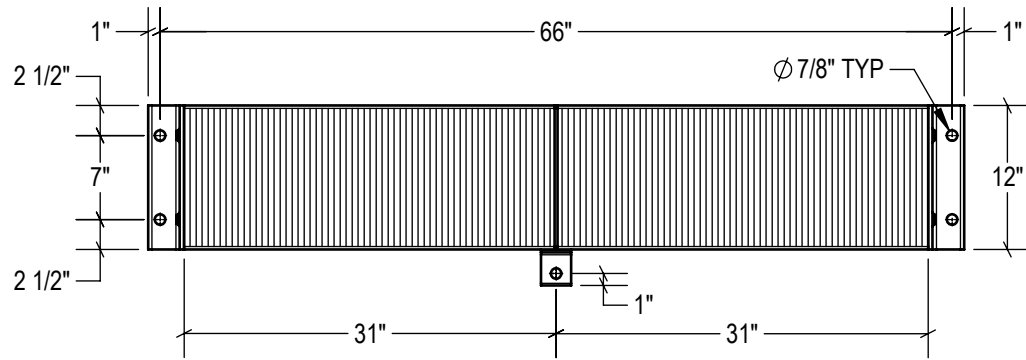


P1 CONFIG.  
model #: LB412-066/P1  
part #: 24-7004  
Welded (1) Side

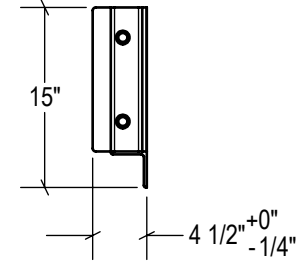


STANDARD  
model #: LB412-066  
part #: 24-7003  
Bolted (2) Sides

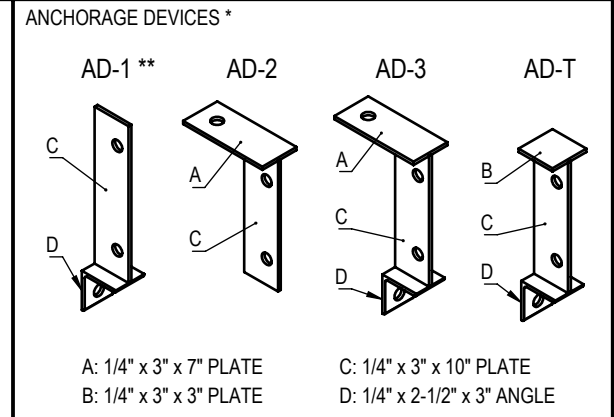
TOP VIEW



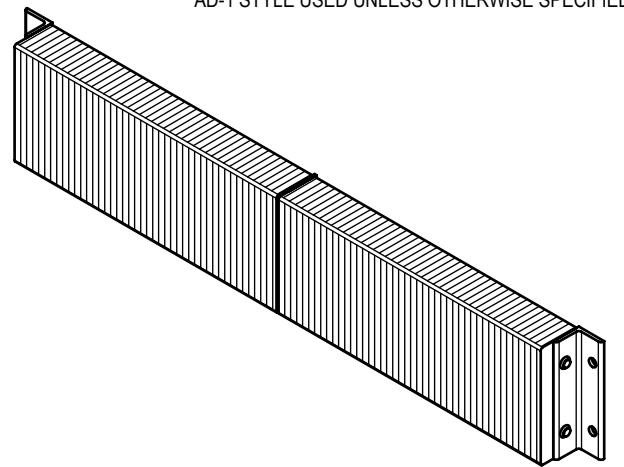
FRONT VIEW



SIDE VIEW



\* NUMBER OF ANCHORAGE DEVICES REQUIRED = 1  
\*\* AD-1 STYLE USED UNLESS OTHERWISE SPECIFIED



ESTIMATED GROSS SHIPPING WEIGHT = 158 LBS

**SPECIFICATIONS:**  
FURNISH AND INSTALL LAMINATED RUBBER DOCK BUMPERS AS MANUFACTURED BY IDEAL WAREHOUSE INNOVATIONS, INC. LAMINATED PADS SHALL BE MADE FROM REINFORCED TRUCK TIRES CUT TO 4.125" x 12" PUNCHED AND ASSEMBLED THROUGH 3/4" RODS BETWEEN 3" x 3" x 3/8" STRUCTURAL STEEL UNDER 1,500LBS OF PRESSURE. FINISH OF EXPOSED METAL SHALL BE PAINTED WITH WATER-BASED AND LEAD-FREE PAINT OR HOT-DIPPED GALVANIZED (OPTIONAL).

ALL DIMENSIONS ARE ±1/8" UNLESS SPECIFIED OTHERWISE

DRAWN BY: **T.CHUNG**      DATE: **2018-12-19**  
CHECKED BY:      DATE:        
THE INFORMATION CONTAINED IN THIS DRAWING IS THE SOLE PROPERTY OF IDEAL WAREHOUSE INNOVATIONS INC. ANY REPRODUCTION IN PART OR AS A WHOLE IS PROHIBITED.

3rd Angle	SIZE: <b>A</b>		
	DESCRIPTION: <b>LAMINATED RUBBER BUMPER LB412-066</b>		
SCALE: <b>1:16</b>	SHEETS: <b>1 of 1</b>	DRAWING NUMBER: <b>MKT_LB412-066</b>	REV: <b>1a</b>