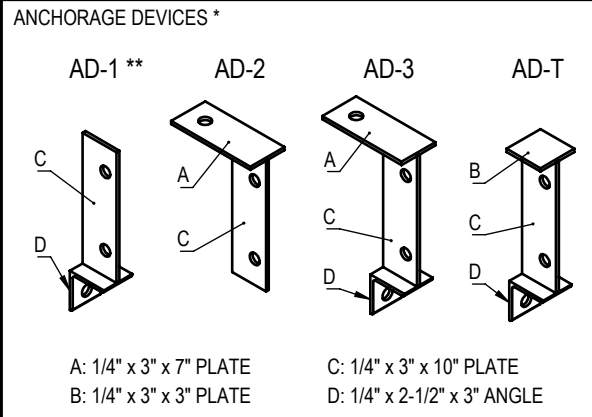
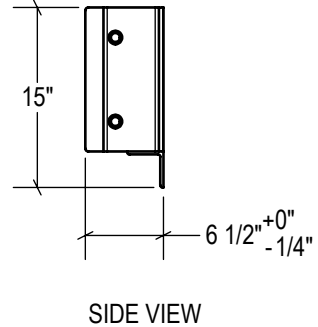
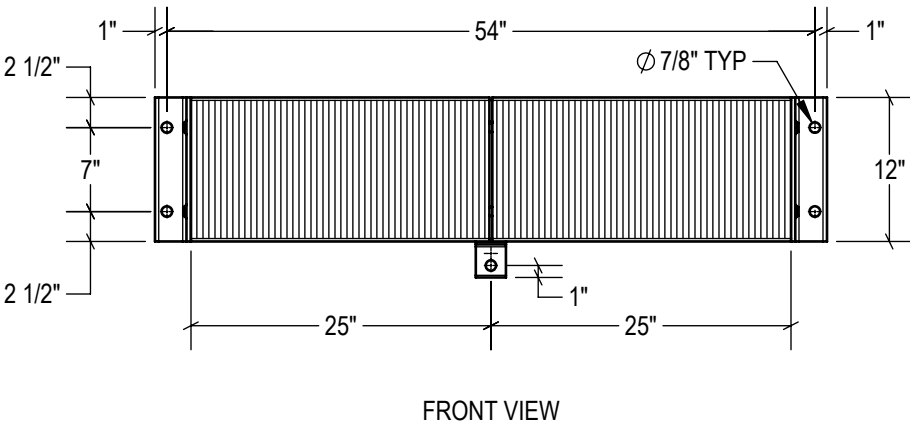


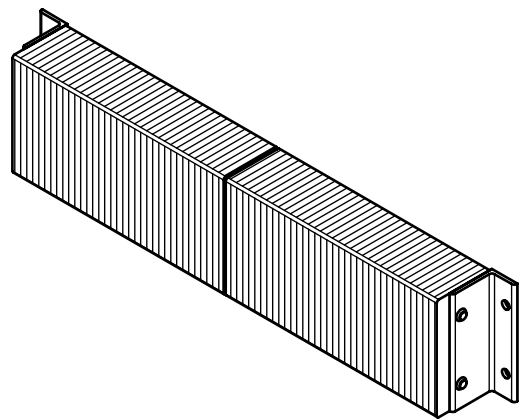
P2 CONFIG.  
model #: LB612-054/P2  
part #: 24-7102  
Welded (2) Sides

P1 CONFIG.  
model #: LB612-054/P1  
part #: 24-7101  
Welded (1) Side

STANDARD  
model #: LB612-054  
part #: 24-7100  
Bolted (2) Sides



\* NUMBER OF ANCHORAGE DEVICES REQUIRED = 1  
\*\* AD-1 STYLE USED UNLESS OTHERWISE SPECIFIED



ESTIMATED GROSS SHIPPING WEIGHT = 185 LBS

**SPECIFICATIONS:**  
FURNISH AND INSTALL LAMINATED RUBBER DOCK BUMPERS AS MANUFACTURED BY IDEAL WAREHOUSE INNOVATIONS, INC. LAMINATED PADS SHALL BE MADE FROM REINFORCED TRUCK TIRES CUT TO 6.125" x 12" PUNCHED AND ASSEMBLED THROUGH 3/4" RODS BETWEEN 3" x 5" x 3/8" STRUCTURAL STEEL UNDER 1,500LBS OF PRESSURE. FINISH OF EXPOSED METAL SHALL BE PAINTED WITH WATER-BASED AND LEAD-FREE PAINT OR HOT-DIPPED GALVANIZED (OPTIONAL).

ALL DIMENSIONS ARE ±1/8" UNLESS SPECIFIED OTHERWISE

**DRAWN BY:** T.CHUNG  
**DATE:** 2018-12-19

**CHECKED BY:**  
**DATE:**

THE INFORMATION CONTAINED IN THIS DRAWING IS THE SOLE PROPERTY OF IDEAL WAREHOUSE INNOVATIONS INC. ANY REPRODUCTION IN PART OR AS A WHOLE IS PROHIBITED.

3rd Angle	<b>SIZE:</b> <b>A</b>		
	<b>DESCRIPTION:</b> <b>LAMINATED RUBBER BUMPER LB612-054</b>		
<b>SCALE:</b> 1:16	<b>SHEETS:</b> 1 of 1	<b>DRAWING NUMBER:</b> MKT_LB612-054	<b>REV:</b> <b>1a</b>