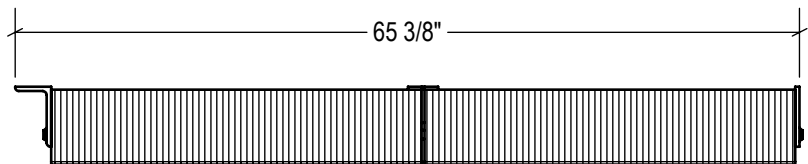
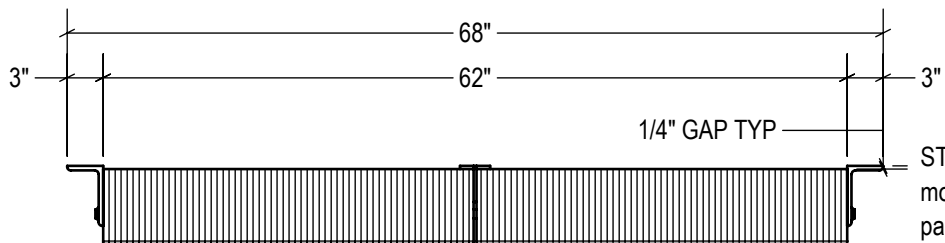


P2 CONFIG.  
model #: LB612-066/P2  
part #: 24-7105  
Welded (2) Sides

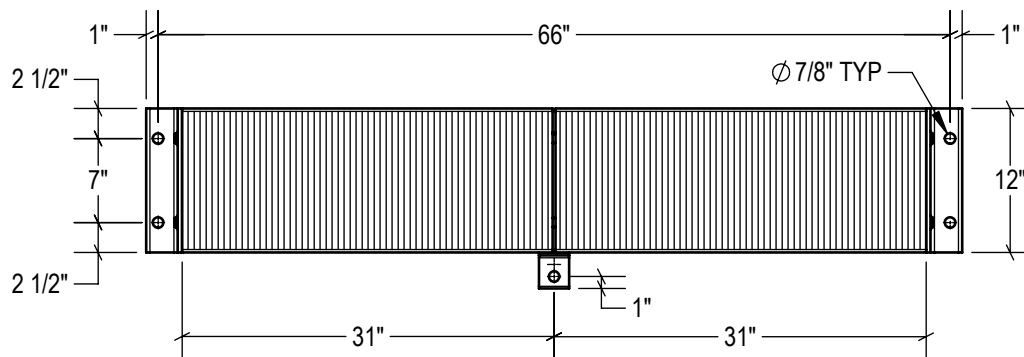


P1 CONFIG.  
model #: LB612-066/P1  
part #: 24-7104  
Welded (1) Side

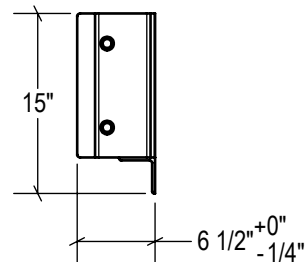


STANDARD  
model #: LB612-066  
part #: 24-7103  
Bolted (2) Sides

TOP VIEW

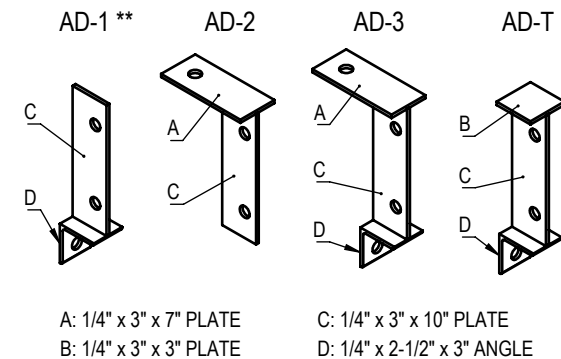


FRONT VIEW



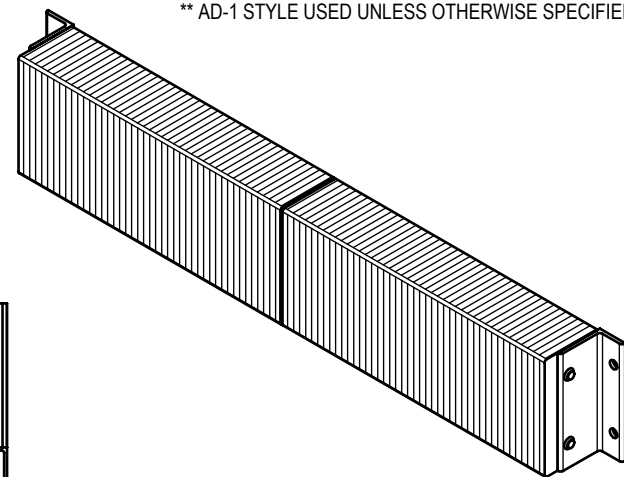
SIDE VIEW

ANCHORAGE DEVICES \*



A: 1/4" x 3" x 7" PLATE  
B: 1/4" x 3" x 3" PLATE  
C: 1/4" x 3" x 10" PLATE  
D: 1/4" x 2-1/2" x 3" ANGLE

\* NUMBER OF ANCHORAGE DEVICES REQUIRED = 1  
\*\* AD-1 STYLE USED UNLESS OTHERWISE SPECIFIED



ESTIMATED GROSS SHIPPING WEIGHT = 225 LBS

SPECIFICATIONS:

FURNISH AND INSTALL LAMINATED RUBBER DOCK BUMPERS AS MANUFACTURED BY IDEAL WAREHOUSE INNOVATIONS, INC. LAMINATED PADS SHALL BE MADE FROM REINFORCED TRUCK TIRES CUT TO 6.125" x 12" PUNCHED AND ASSEMBLED THROUGH 3/4" RODS BETWEEN 3" x 5" x 3/8" STRUCTURAL STEEL UNDER 1,500LBS OF PRESSURE. FINISH OF EXPOSED METAL SHALL BE PAINTED WITH WATER-BASED AND LEAD-FREE PAINT OR HOT-DIPPED GALVANIZED (OPTIONAL).

ALL DIMENSIONS ARE ±1/8" UNLESS SPECIFIED OTHERWISE

DRAWN BY:

T.CHUNG

CHECKED BY:

DATE:

2018-12-19

DATE:

THE INFORMATION CONTAINED IN THIS DRAWING IS THE SOLE PROPERTY OF IDEAL WAREHOUSE INNOVATIONS INC. ANY REPRODUCTION IN PART OR AS A WHOLE IS PROHIBITED.



3rd Angle

SIZE:

A



**IDEAL WAREHOUSE INNOVATIONS INC**

DESCRIPTION:

**LAMINATED RUBBER BUMPER LB612-066**

SCALE:

1:16

SHEETS:

1 of 1

DRAWING NUMBER:

MKT\_LB612-066

REV:

1a