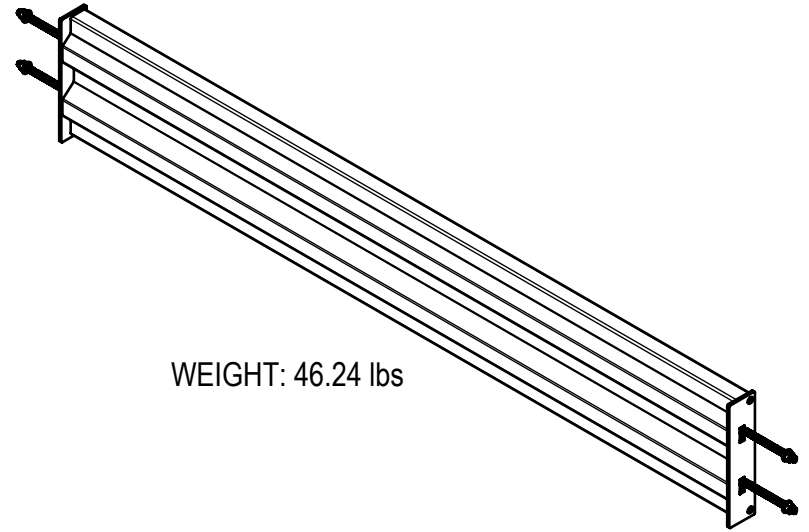
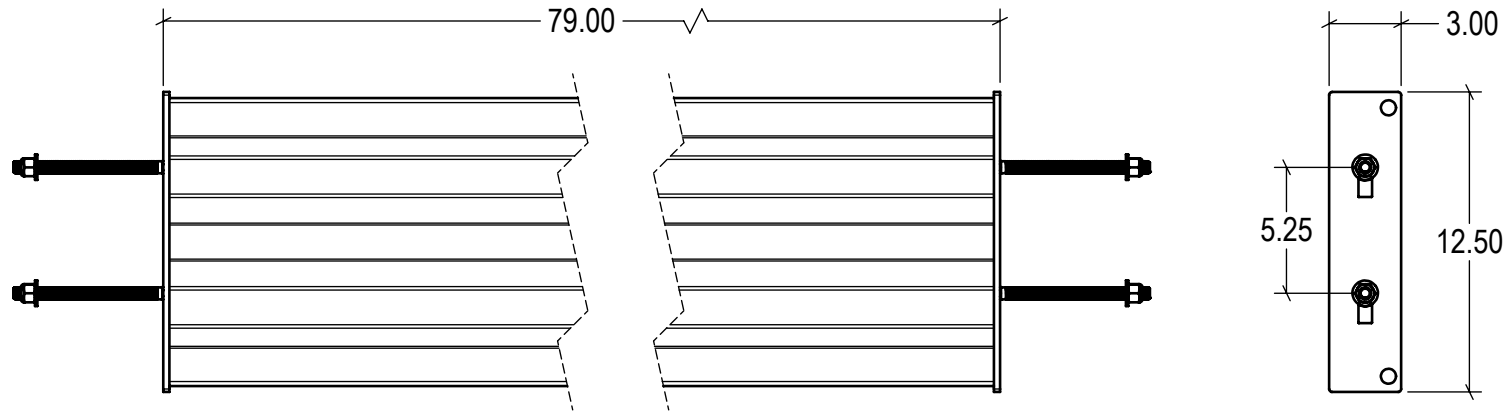


ITEM NO.	PART NUMBER	DESCRIPTION	QTY.
1	60-7450-079	GUARD RAIL - 7ft	1
2	93548A737	CARRIAGE BOLT, 1/2UNC x 6-1/2"	4
3	95615A210	LOCKNUT, 1/2 UNC; Gr5, ZP	4
4	98023A033	WASHER, FLAT, 1/2"; ZP	4



WEIGHT: 46.24 lbs



 3rd Angle	SIZE: A	 IDEAL WAREHOUSE INNOVATIONS INC	
	DESCRIPTION: GUARDRAIL ASSEMBLY: 7ft POST SPACING		
SCALE: 1:8	SHEETS: 1 of 1	DRAWING NUMBER: 60-7450-079-A	REV: 1