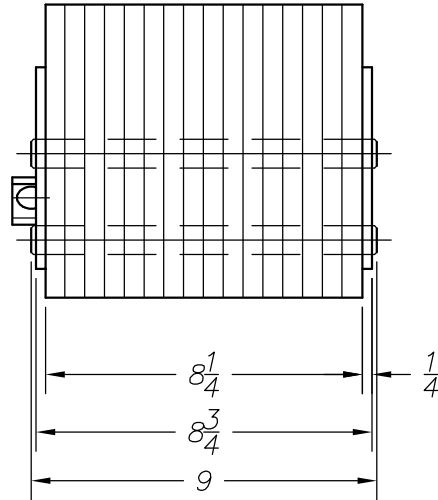
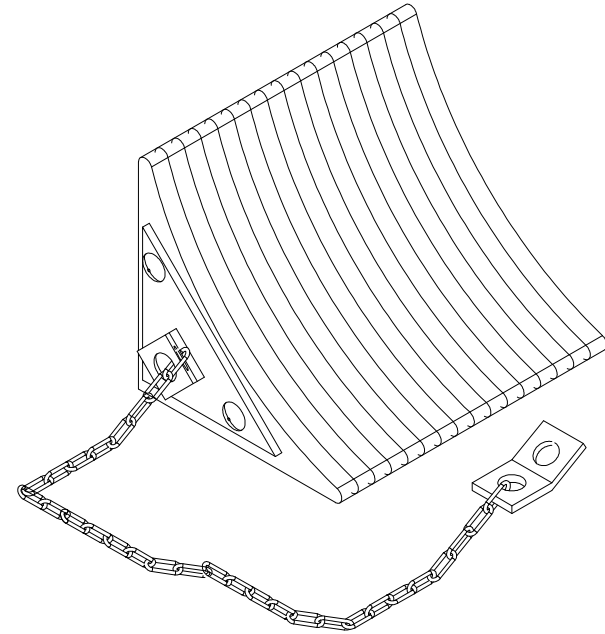


FRONT VIEW



SIDE VIEW



SECURITY CHAIN  
 3/16" ZINC PLATED  
 0.6 LBS. PER LINEAL FOOT  
 STANDARD LENGTHS: 10', 12', 15' AND 20'

NOTES:  
 ALL TOLERANCES ARE  $\pm 1/4$ "  
 UNLESS OTHERWISE NOTED.

THIS DRAWING AND THE DESIGN  
 SHOWN ARE THE PROPERTY OF  
**IDEAL WAREHOUSE INNOVATIONS,**  
 REPRODUCTION OR USE OF THIS  
 DRAWING FOR ANY PURPOSE OTHER  
 THAN THAT SPECIFIED SHALL BE  
 VIEWED AS INFRINGEMENT AND  
 BE SUBJECT TO LEGAL ACTION



**IDEAL WAREHOUSE**  
 INNOVATIONS INC

SCALE: 1:96

DRAWN BY: W.R.

DATE: JAN 2015

MODEL: 88-8 LAMINATED

DATE:

APPROVED BY: