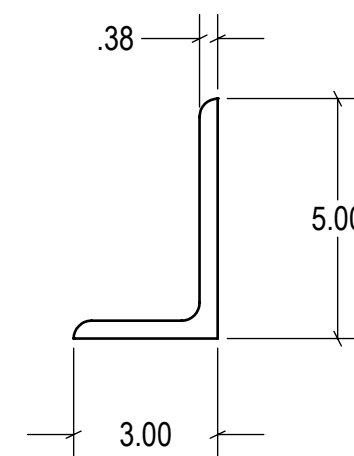
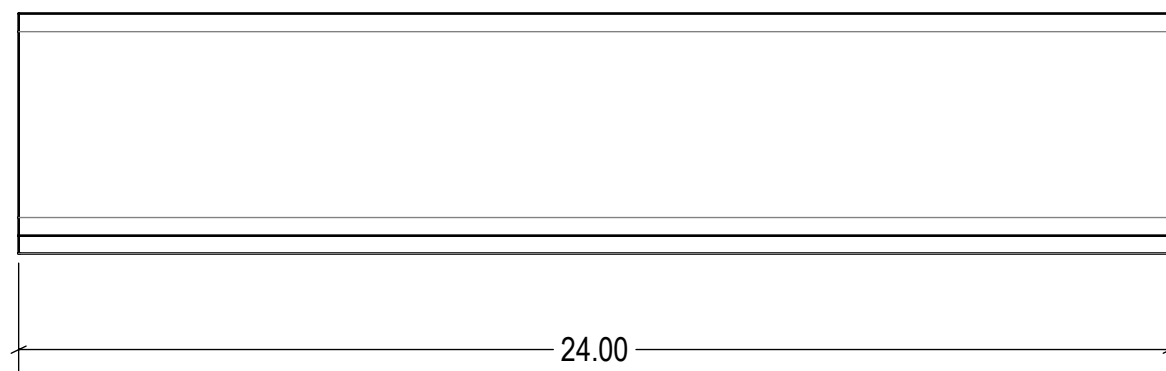


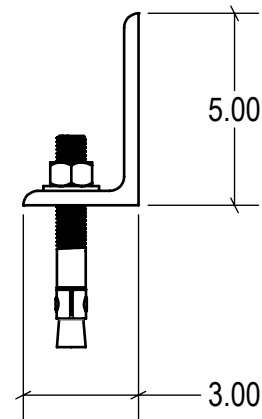
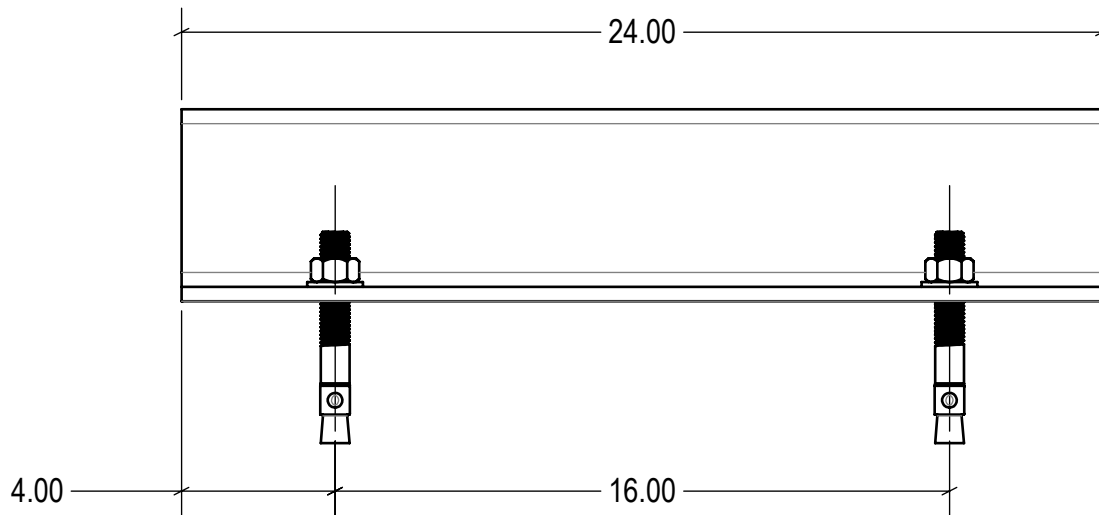
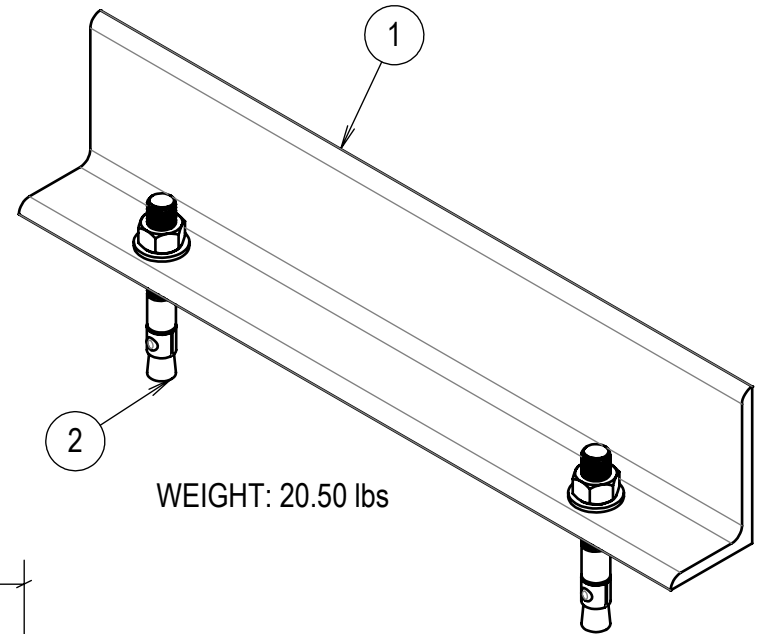
WEIGHT: 19.01lbs





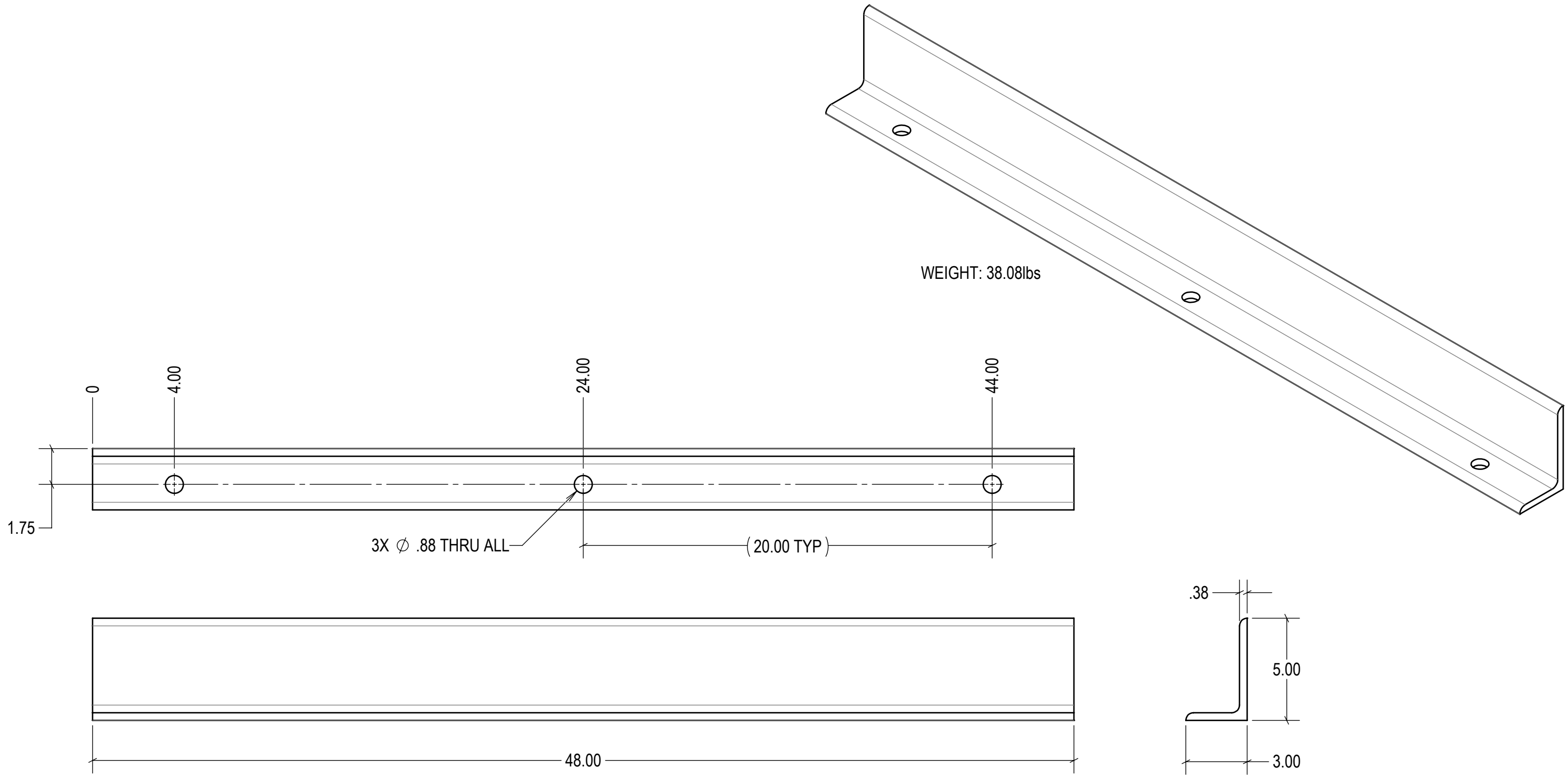
UNLESS SPECIFIED OTHERWISE:	QTY: -	UNITS: inch	HARDNESS: NONE
LINEAR DIMENSIONS: X.X: ± 0.020" X.XX: ± 0.010" X.XXX: ± 0.005"	MATERIAL: Plain Carbon Steel		
ANGULAR DIMENSIONS: ±1°	FINISH: POWDERCOAT - GOLDEN YELLOW		
HOLE POSITIONS: ±0.010"	STOCK SIZE: 5"x3"x3/8" ANGLE		

DRAWN BY: T.CHUNG	DATE: 02/01/2020	3rd Angle	SIZE: <b>B</b>	<b>IDEAL WAREHOUSE INNOVATIONS INC</b>	
CHECKED BY:	DATE:	DESCRIPTION: <b>FLOOR ANGLE GUARD - 24"</b>			
THE INFORMATION CONTAINED IN THIS DRAWING IS THE SOLE PROPERTY OF IDEAL WAREHOUSE INNOVATIONS INC. ANY REPRODUCTION IN PART OR AS A WHOLE IS PROHIBITED.		SCALE: <b>1:4</b>	SHEETS: <b>1 of 1</b>	DRAWING NUMBER: <b>60-6310</b>	REV: <b>1</b>

ITEM NO.	PART NUMBER	DESCRIPTION	QTY.
1	60-6310	FLOOR ANGLE GUARD - 24"	1
2	60-7533	ANCHOR: 3/4" x 5-1/2" Wedge Anchor	2

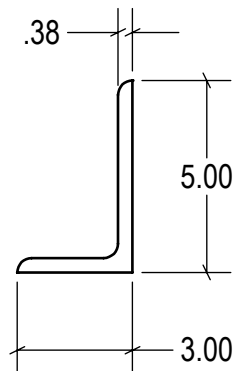


DRAWN BY: <b>T.CHUNG</b>	DATE: <b>02/01/2020</b>	 3rd Angle SIZE: <b>A</b>	 <b>IDEAL WAREHOUSE INNOVATIONS INC</b>
CHECKED BY:	DATE:		
THE INFORMATION CONTAINED IN THIS DRAWING IS THE SOLE PROPERTY OF IDEAL WAREHOUSE INNOVATIONS INC. ANY REPRODUCTION IN PART OR AS A WHOLE IS PROHIBITED.		DESCRIPTION: <b>24" FLOOR ANGLE GUARD ASSEMBLY</b>	
		SCALE: <b>1:5</b>	SHEETS: <b>1 of 1</b>



WEIGHT: 38.08lbs

3X Ø .88 THRU ALL (20.00 TYP)

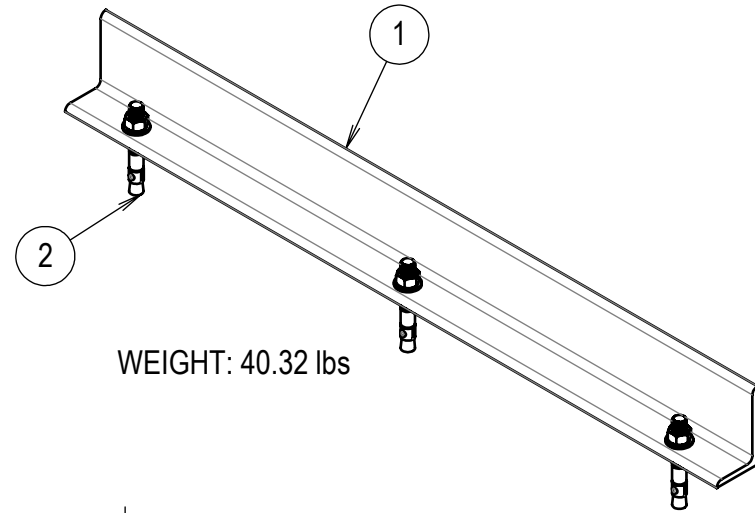


UNLESS SPECIFIED OTHERWISE:	QTY: -	UNITS: inch	HARDNESS: NONE
LINEAR DIMENSIONS: X.X: ± 0.020" X.XX: ± 0.010" X.XXX: ± 0.005"	MATERIAL: Plain Carbon Steel		
ANGULAR DIMENSIONS: ±1°	FINISH: POWDERCOAT - GOLDEN YELLOW		
HOLE POSITIONS: ±0.010"	STOCK SIZE: 5"x3"x3/8" ANGLE		

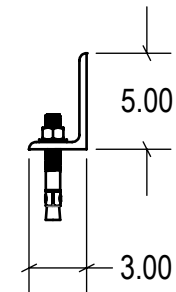
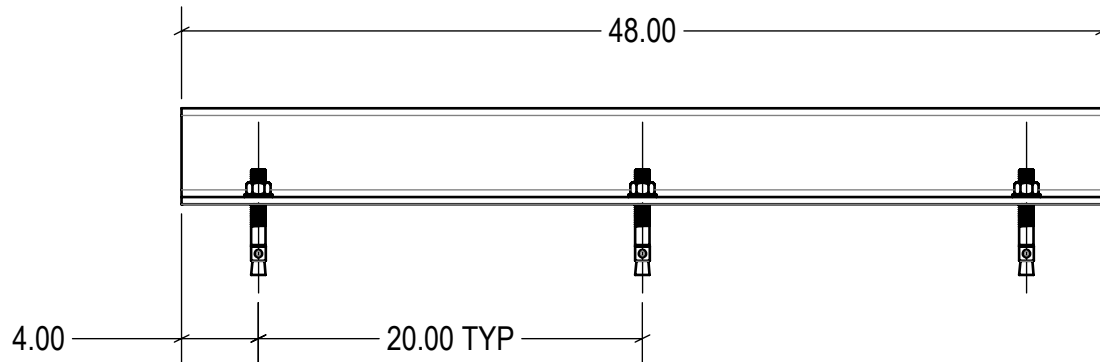
DRAWN BY: T.CHUNG	DATE: 02/01/2020
CHECKED BY:	DATE:
THE INFORMATION CONTAINED IN THIS DRAWING IS THE SOLE PROPERTY OF IDEAL WAREHOUSE INNOVATIONS INC. ANY REPRODUCTION IN PART OR AS A WHOLE IS PROHIBITED.	

3rd Angle	SIZE: <b>B</b>	<b>IDEAL WAREHOUSE INNOVATIONS INC</b>	
DESCRIPTION: <b>FLOOR ANGLE GUARD - 48"</b>			
SCALE: <b>1:5</b>	SHEETS: <b>1 of 1</b>	DRAWING NUMBER: <b>60-6320</b>	REV: <b>1</b>

ITEM NO.	PART NUMBER	DESCRIPTION	QTY.
1	60-6320	FLOOR ANGLE GUARD - 48"	1
2	60-7533	ANCHOR: 3/4" x 5-1/2" Wedge Anchor	3



WEIGHT: 40.32 lbs



DRAWN BY: <b>T.CHUNG</b>	DATE: <b>02/01/2020</b>
CHECKED BY:	DATE:

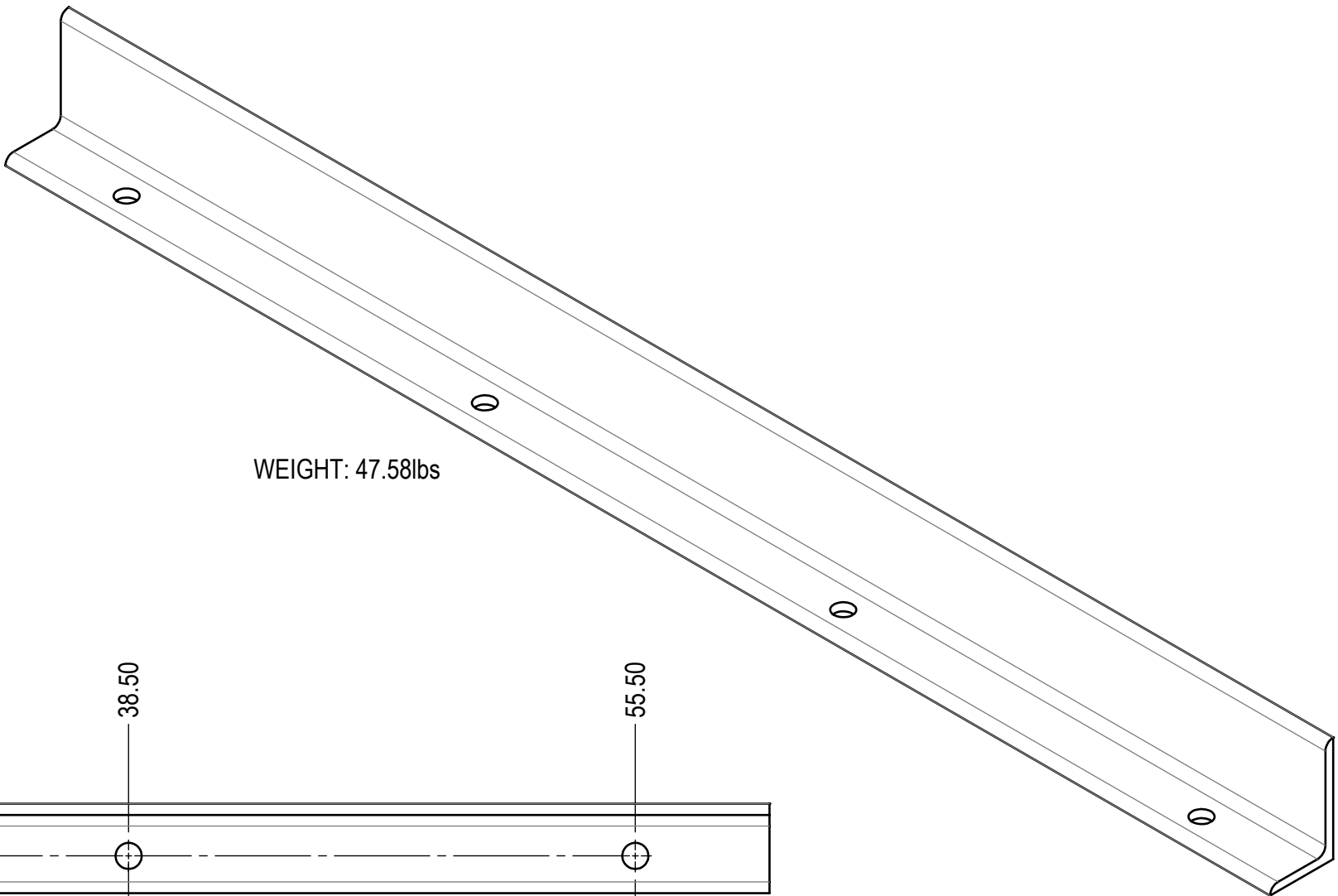
3rd Angle  
SIZE:  
**A**



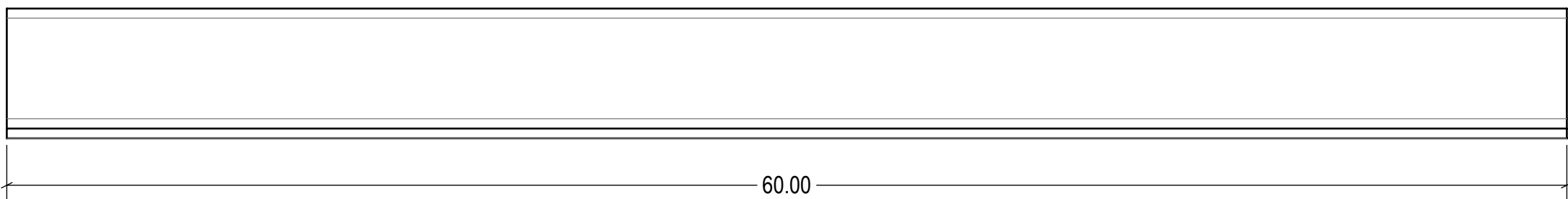
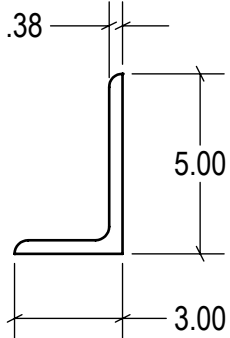
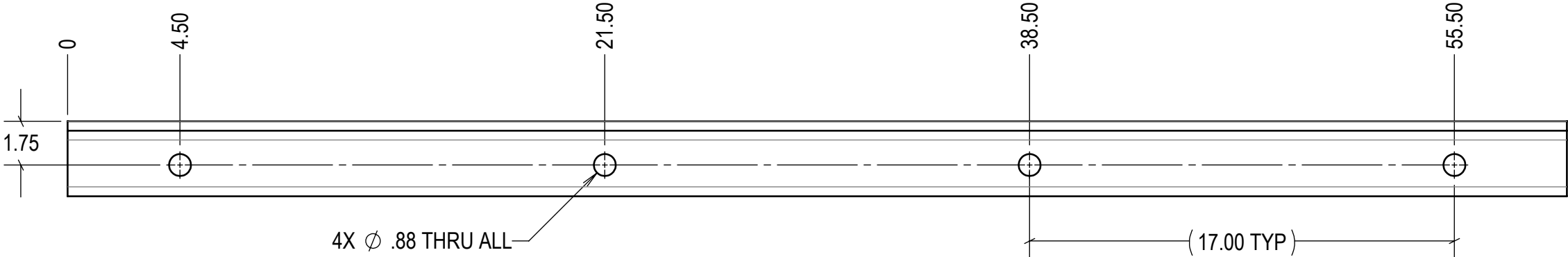
THE INFORMATION CONTAINED IN THIS DRAWING IS THE SOLE PROPERTY OF IDEAL WAREHOUSE INNOVATIONS INC. ANY REPRODUCTION IN PART OR AS A WHOLE IS PROHIBITED.

DESCRIPTION:  
**48" FLOOR ANGLE GUARD ASSEMBLY**

SCALE: <b>1:10</b>	SHEETS: <b>1 of 1</b>	DRAWING NUMBER: <b>60-6320-A</b>	REV: <b>1</b>
-----------------------	--------------------------	-------------------------------------	------------------



WEIGHT: 47.58lbs

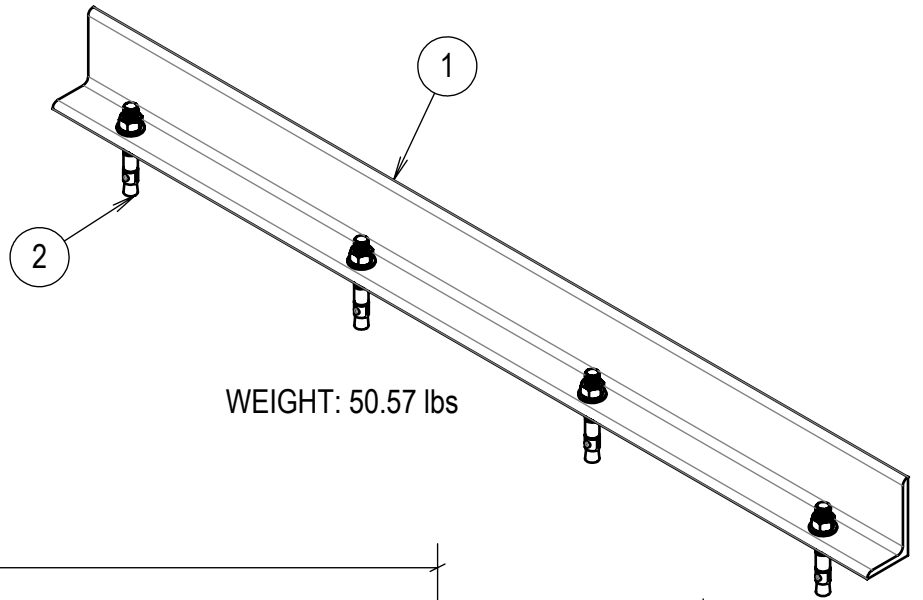


UNLESS SPECIFIED OTHERWISE:	QTY: -	UNITS: inch	HARDNESS: NONE
LINEAR DIMENSIONS: X.X: ± 0.020" X.XX: ± 0.010" X.XXX: ± 0.005"	MATERIAL: Plain Carbon Steel		
ANGULAR DIMENSIONS: ±1°	FINISH: POWDERCOAT - GOLDEN YELLOW		
HOLE POSITIONS: ±0.010"	STOCK SIZE: 5"x3"x3/8" ANGLE		

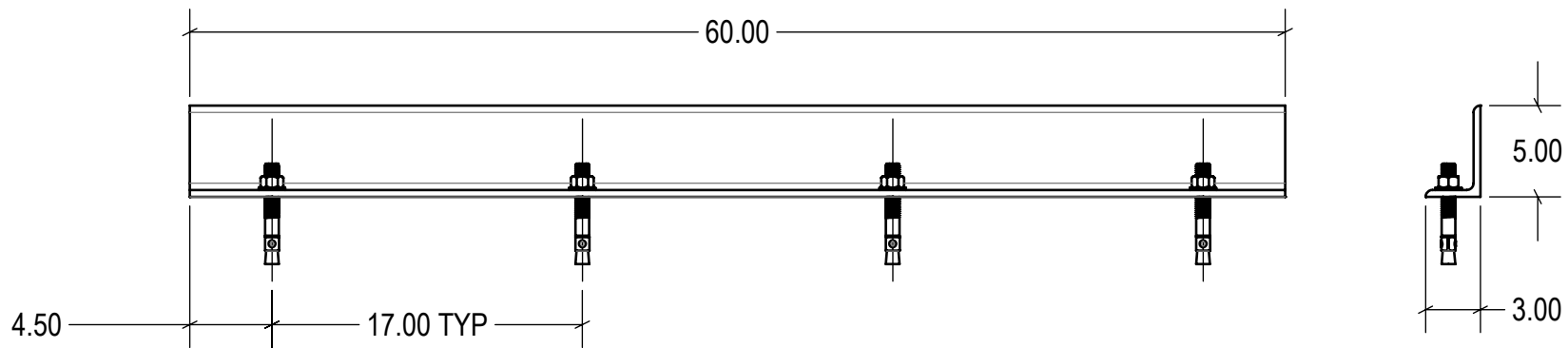
DRAWN BY: T.CHUNG	DATE: 02/01/2020
CHECKED BY:	DATE:
THE INFORMATION CONTAINED IN THIS DRAWING IS THE SOLE PROPERTY OF IDEAL WAREHOUSE INNOVATIONS INC. ANY REPRODUCTION IN PART OR AS A WHOLE IS PROHIBITED.	


	SIZE: <b>B</b>	<b>IDEAL WAREHOUSE INNOVATIONS INC</b>	
DESCRIPTION: <b>FLOOR ANGLE GUARD - 60"</b>			
SCALE: <b>3:16</b>	SHEETS: <b>1 of 1</b>	DRAWING NUMBER: <b>60-6330</b>	REV: <b>1</b>

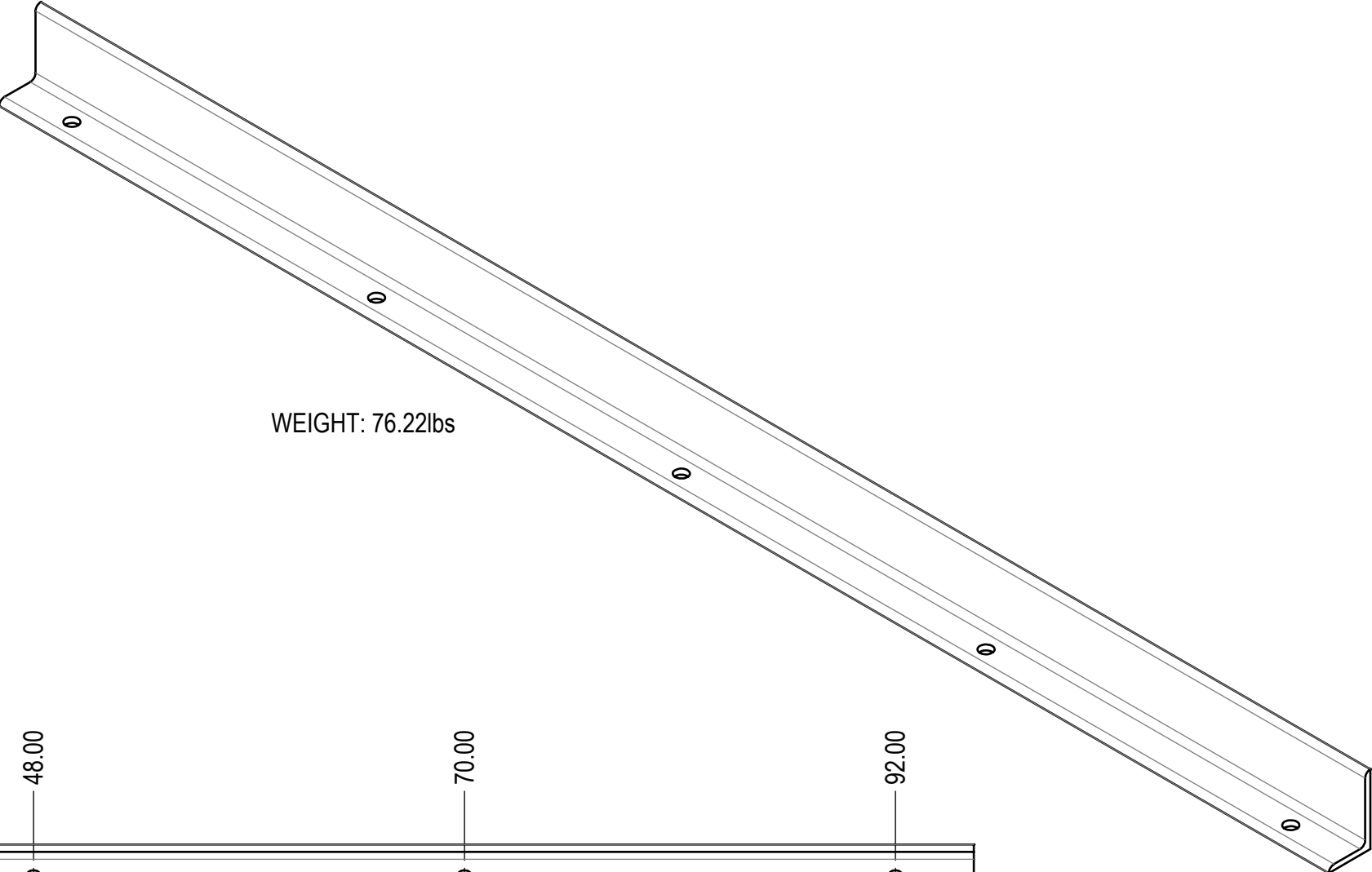
ITEM NO.	PART NUMBER	DESCRIPTION	QTY.
1	60-6330	FLOOR ANGLE GUARD - 60"	1
2	60-7533	ANCHOR: 3/4" x 5-1/2" Wedge Anchor	4



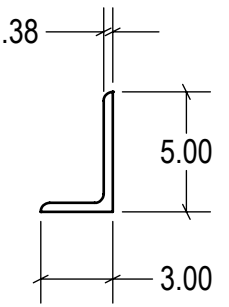
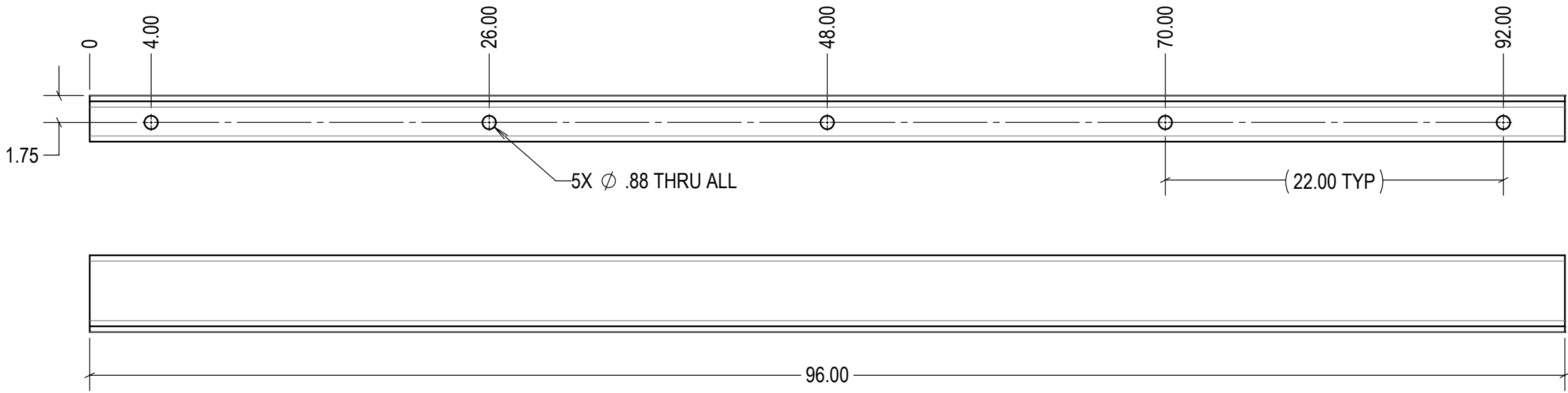
WEIGHT: 50.57 lbs



DRAWN BY: <b>T.CHUNG</b>	DATE: <b>02/01/2020</b>	3rd Angle	SIZE: <b>A</b>	 <b>IDEAL WAREHOUSE INNOVATIONS INC</b>	
CHECKED BY:	DATE:	DESCRIPTION: <b>60" FLOOR ANGLE GUARD ASSEMBLY</b>			
THE INFORMATION CONTAINED IN THIS DRAWING IS THE SOLE PROPERTY OF IDEAL WAREHOUSE INNOVATIONS INC. ANY REPRODUCTION IN PART OR AS A WHOLE IS PROHIBITED.		SCALE: <b>1:10</b>	SHEETS: <b>1 of 1</b>	DRAWING NUMBER: <b>60-6330-A</b>	REV: <b>1</b>



WEIGHT: 76.22lbs

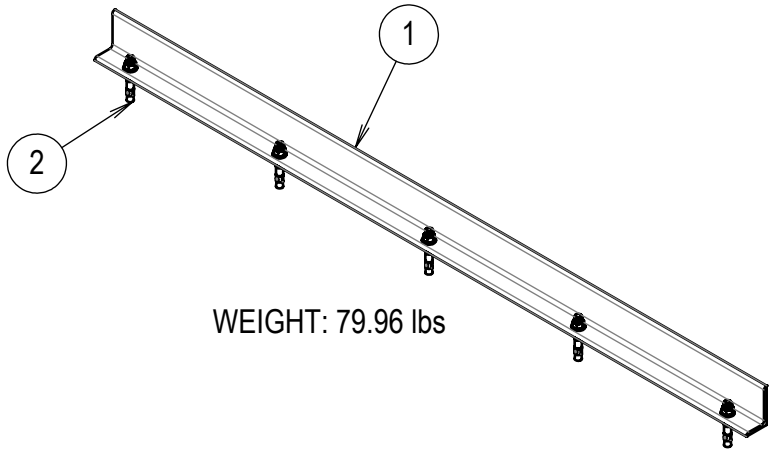


UNLESS SPECIFIED OTHERWISE:	QTY: -	UNITS: inch	HARDNESS: NONE
LINEAR DIMENSIONS: X.X: $\pm$ 0.020" X.XX: $\pm$ 0.010" X.XXX: $\pm$ 0.005"	MATERIAL: Plain Carbon Steel		
ANGULAR DIMENSIONS: $\pm$ 1°	FINISH: POWDERCOAT - GOLDEN YELLOW		
HOLE POSITIONS: $\pm$ 0.010"	STOCK SIZE: 5"x3"x3/8" ANGLE		

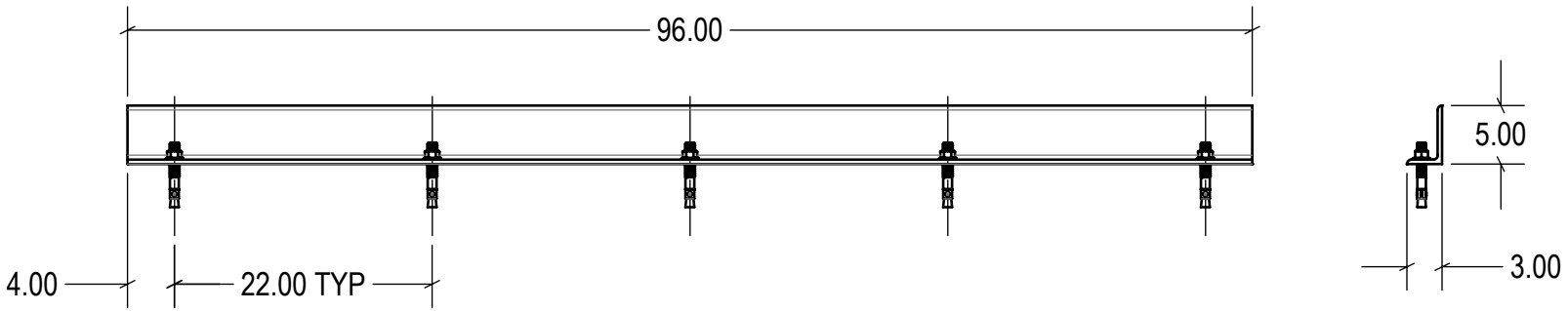
DRAWN BY: T.CHUNG	DATE: 02/01/2020
CHECKED BY:	DATE:
THE INFORMATION CONTAINED IN THIS DRAWING IS THE SOLE PROPERTY OF IDEAL WAREHOUSE INNOVATIONS INC. ANY REPRODUCTION IN PART OR AS A WHOLE IS PROHIBITED.	



3rd Angle	SIZE: <b>B</b>	<b>IDEAL WAREHOUSE INNOVATIONS INC</b>	
DESCRIPTION: <b>FLOOR ANGLE GUARD - 96"</b>			
SCALE: 1:8	SHEETS: 1 of 1	DRAWING NUMBER: 60-6340	REV: <b>1</b>

ITEM NO.	PART NUMBER	DESCRIPTION	QTY.
1	60-6340	FLOOR ANGLE GUARD - 96"	1
2	60-7533	ANCHOR: 3/4" x 5-1/2" Wedge Anchor	5

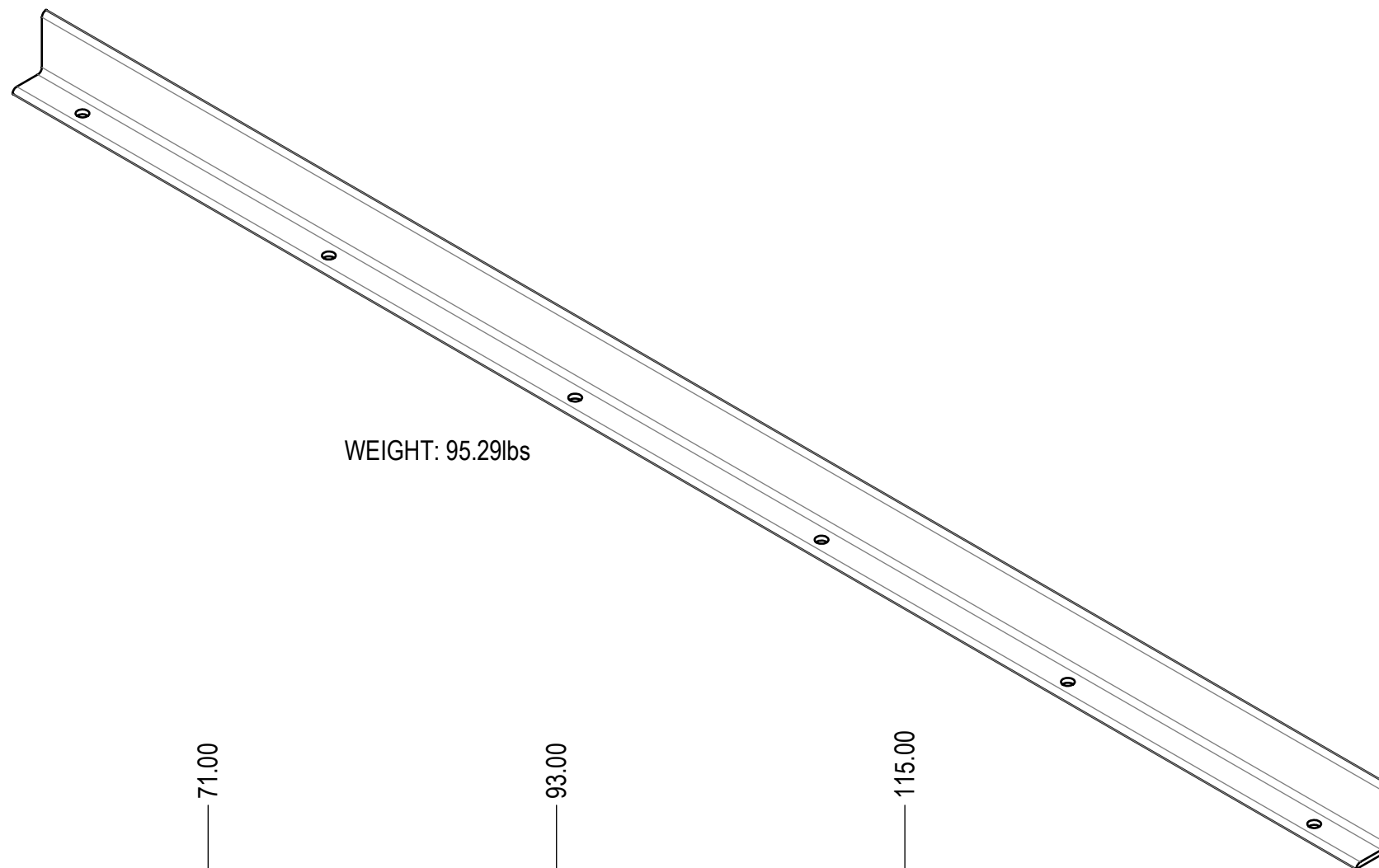


WEIGHT: 79.96 lbs

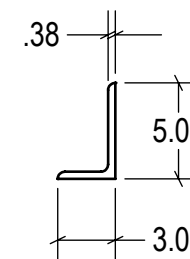
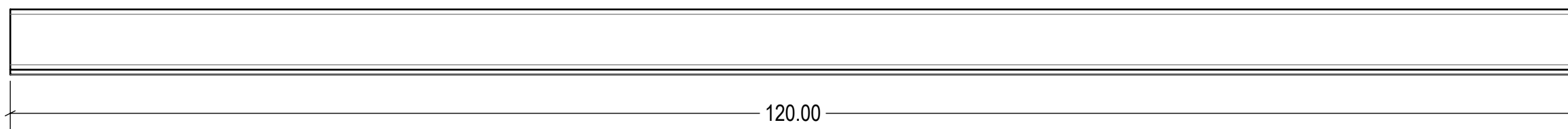
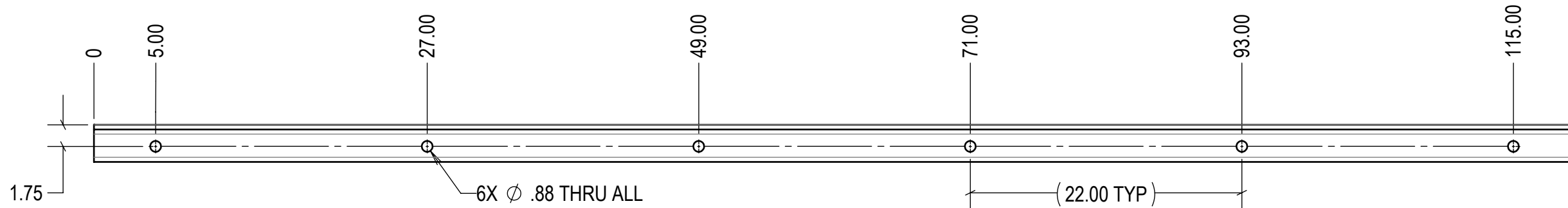


DRAWN BY: <b>T.CHUNG</b>	DATE: <b>02/01/2020</b>	 3rd Angle SIZE: <b>A</b>	 <b>IDEAL WAREHOUSE INNOVATIONS INC</b>
CHECKED BY:	DATE:		
THE INFORMATION CONTAINED IN THIS DRAWING IS THE SOLE PROPERTY OF IDEAL WAREHOUSE INNOVATIONS INC. ANY REPRODUCTION IN PART OR AS A WHOLE IS PROHIBITED.		DESCRIPTION: <b>96" FLOOR ANGLE GUARD ASSEMBLY</b>	
		SCALE: <b>1:16</b>	SHEETS: <b>1 of 1</b>





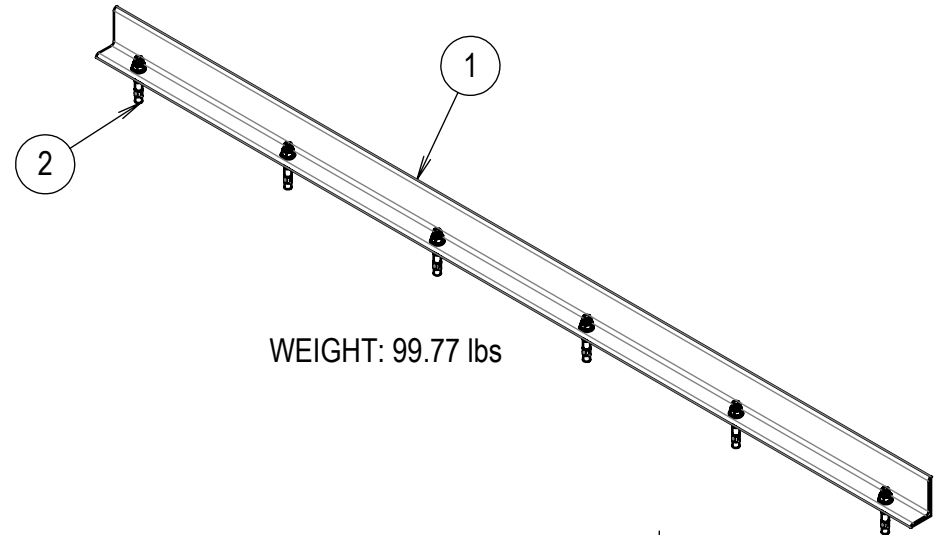
WEIGHT: 95.29lbs



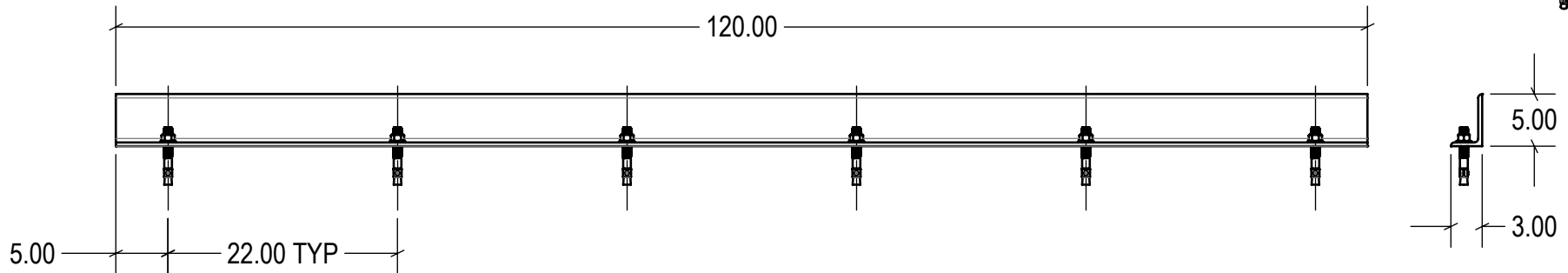
UNLESS SPECIFIED OTHERWISE:	QTY: -	UNITS: inch	HARDNESS: NONE
LINEAR DIMENSIONS: X.X: $\pm$ 0.020" X.XX: $\pm$ 0.010" X.XXX: $\pm$ 0.005"	MATERIAL: Plain Carbon Steel		
ANGULAR DIMENSIONS: $\pm$ 1°	FINISH: POWDERCOAT - GOLDEN YELLOW		
HOLE POSITIONS: $\pm$ 0.010"	STOCK SIZE: 5"x3"x3/8" ANGLE		



DRAWN BY: T.CHUNG	DATE: 02/01/2020	3rd Angle SIZE: <b>B</b>	<b>IDEAL WAREHOUSE INNOVATIONS INC</b>
CHECKED BY:	DATE:		
THE INFORMATION CONTAINED IN THIS DRAWING IS THE SOLE PROPERTY OF IDEAL WAREHOUSE INNOVATIONS INC. ANY REPRODUCTION IN PART OR AS A WHOLE IS PROHIBITED.		DESCRIPTION: <b>FLOOR ANGLE GUARD - 120"</b>	
SCALE: <b>1:10</b>	SHEETS: <b>1 of 1</b>	DRAWING NUMBER: <b>60-6350</b>	REV: <b>1</b>

ITEM NO.	PART NUMBER	DESCRIPTION	QTY.
1	60-6350	FLOOR ANGLE GUARD - 120"	1
2	60-7533	ANCHOR: 3/4" x 5-1/2" Wedge Anchor	6



WEIGHT: 99.77 lbs



DRAWN BY: <b>T.CHUNG</b>	DATE: <b>02/01/2020</b>	 3rd Angle SIZE: <b>A</b>	 <b>IDEAL WAREHOUSE INNOVATIONS INC</b>
CHECKED BY:	DATE:		
THE INFORMATION CONTAINED IN THIS DRAWING IS THE SOLE PROPERTY OF IDEAL WAREHOUSE INNOVATIONS INC. ANY REPRODUCTION IN PART OR AS A WHOLE IS PROHIBITED.		DESCRIPTION: <b>120" FLOOR ANGLE GUARD ASSEMBLY</b>	
		SCALE: <b>1:16</b>	SHEETS: <b>1 of 1</b>