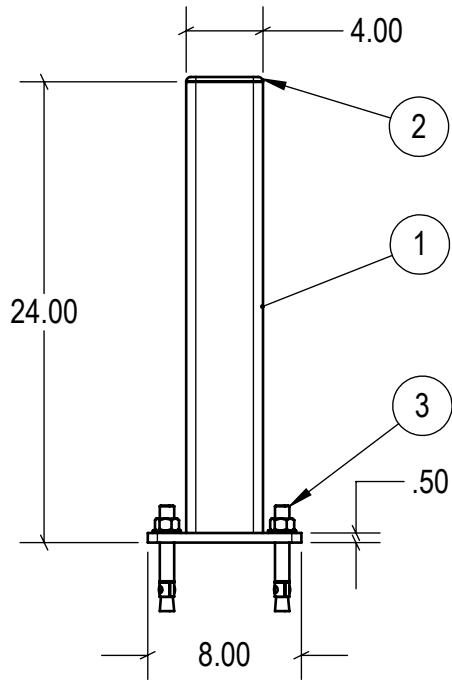




ITEM NO.	PART NUMBER	DESCRIPTION	QTY.
1	60-5124	BOLLARD: 24"H (4"x4"x1/4")	1
2	60-7519	POST CAP	1
3	60-7531	CONCRETE WEDGE ANCHOR 3/4" x 5-1/2"	4



DRAWN BY: T.CHUNG	DATE: 2018-08-20	 3rd Angle SIZE: A	 IDEAL WAREHOUSE INNOVATIONS INC
CHECKED BY:	DATE:		
THE INFORMATION CONTAINED IN THIS DRAWING IS THE SOLE PROPERTY OF IDEAL WAREHOUSE INNOVATIONS INC. ANY REPRODUCTION IN PART OR AS A WHOLE IS PROHIBITED.		DESCRIPTION: BOLLARD ASSEMBLY: 24"H	
		SCALE: 1:10	SHEETS: 1 of 1