

9W Modular LED Loading Dock Light Head



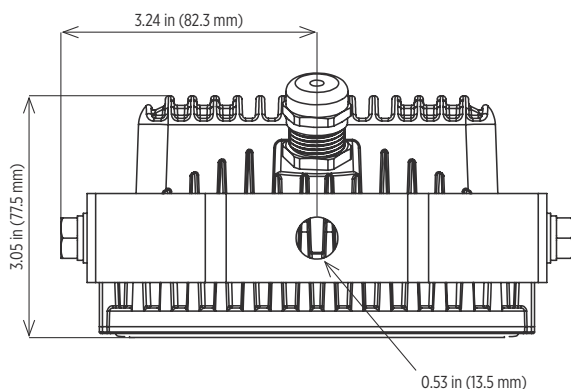
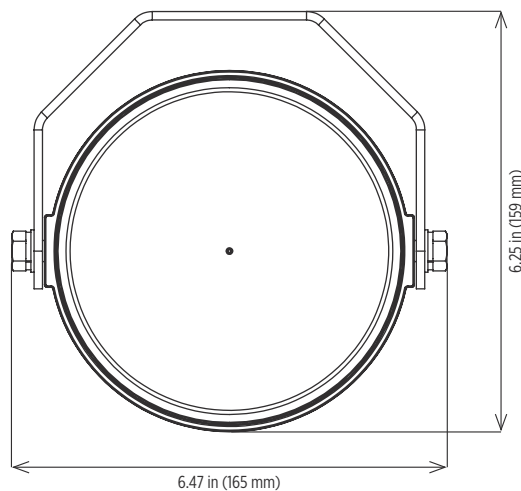
9W dock light designed to replace up to 150W incandescent light heads

Fully illuminates a 53 foot trailer with an even light distribution

Durable, compact design to endure accidental impact

LED technology increases efficiency, eliminates maintenance and supports green initiatives

Dimensions



Specifications

Construction	Cast aluminum housing
Finish	Safety yellow powder coat
Hardware	Stainless steel
Lens	Impact-resistant clear polycarbonate (CP)
Light source	Osram light emitting diodes (LED) 9W, 1200 lumens (fixture) 20° square beam angle CCT 4000K 50,000 hour rated life
Power source	120V, 60Hz
Wiring	22.00 inch (559 mm) cord - standard Plug with recessed 3-prong IEC type (C-14) plug (120V, 60Hz only) - standard NEMA 5-15 plug option (120V, 60Hz only) (PLG) Push button switch on head option (SW)
Ambient operating temperature	-40°C to +50°C
Mounting	Stainless steel mounting bracket 0.50 inch (12.7 mm) mounting hole clearance
Weight	Fixture: 2.7 lb (1.2 kg) Packaged: 3.0 lb (1.4 kg)
Warranty	5 years

For IES files, see website or contact factory

Designed to Meet

ETL/cETL Certified to:

- UL 1598 Suitable for Wet Locations
- CSA C22.2 No. 250-08

CE

ABS

IK10

LM79 and LM80 reports available



Ordering Information

DLA 2 LED Head

Example: DLA2-12LED

Fixture	LED Count	Options ³
DLA2	12 LED	PLG ^{1,2} SW ⁴

LED Count

12LED 12 LEDs, 9W, 1200 lumens

Options³

PLG^{1,2} 22.00 inch (559 mm) cord with 120V, 60Hz NEMA 5-15 plug
SW⁴ Push button switch on head

Notes

- 1 Plug is not suitable for wet environments
- 2 Optional NEMA 5-15 plug cannot be used with Phoenix docklite® Arm (below)
- 3 Fixture will come standard with recessed 3-prong IEC type (C-14) plug (120V, 60Hz only), which is necessary for use with Phoenix docklite® Arm (below)
- 4 SW option is not required when using with Phoenix docklite® Arm (below), because power switch is standard on arm.

docklite® Arm

Example: DL-42-ARM

Fixture	Length	Part
DL	24	ARM ¹
	42	
	60	

Length

24 24.00 inch (610 mm) arm
42 42.00 inch (1067 mm) arm
60 60.00 inch (1524 mm) arm

Notes

- 1 Only available in 120V, 60Hz

Special Projects: We may be able to accommodate your special projects, so please don't hesitate to ask about additional options. Minimum order quantities and/or extended lead times will apply. Contact your Phoenix representative with specific inquiries.

Product design and specifications are subject to change without notice. The most current version of this specification sheet can be found on our website: www.phoenixlighting.com.