



IDEAL WAREHOUSE
INNOVATIONS INC

Protecting Your People

DOCK LIGHTS



We set the standard
for warehouse dock
illumination

You can't avoid what can't be seen. Loading docks are busy environments with a high potential for workplace injury. Our loading dock lighting solutions increase worker safety and efficiency. From our Heavy Duty LED Lamp Head to our Gooseneck Industrial Task Light, we set the standard for warehouse dock illumination.

HD LED DOCK LIGHTS

Energy Efficient & Green

- Up to 94% less energy than traditional incandescent fixtures
- Can outlast 25 incandescent bulbs
- Energy rebate potential

Safe

- Optimum brightness throughout the entire length of the trailer
- Emits cool white light
- Always cool to the touch

Rugged Design

- Impact resistant, cast aluminum cover
- Clear acrylic cover ideal for use in food warehouses
- Meets food facility requirements for "no glass"
- Light is completely sealed for "Wet Locations" IP66, NEMA4

Reduced Maintenance Costs

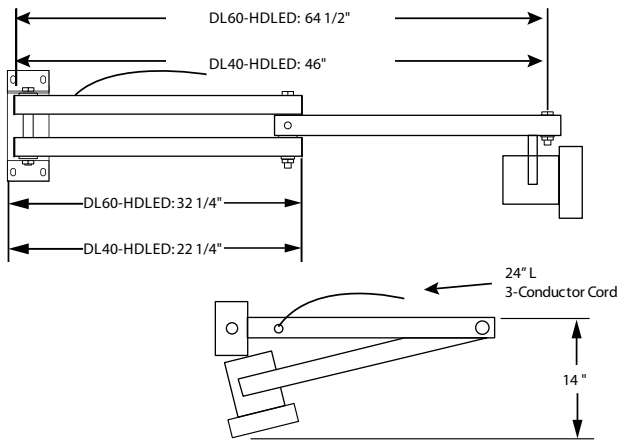
- Eliminates light bulb replacement and/or clean-up
- Upgrade kit minimizes installation time by reusing existing arms



DOCK LIGHTS

HD LED SPECIFICATIONS

- Illumination exceeds a 300watt incandescent bulb while using only 18 watts
- Minimum life of 60,000 hours at 90% lumen maintenance (over 10 years)
- Constant current IP66 LED driver rated for 100,000 hours of operation at 77°F
- 7 LED emitters, Heavy Duty 14 gauge, 1-1/2" (38mm) square steel arms
- Safety yellow, powder coated finish for high visibility. Non-corrosive
- UL, cUL, CE certified and RoHS Compliant
- Voltage input: 100-240VAC, 50/60Hz, Single Phase
- Available as complete dock light with light head and arms or just the light head
- Reach: 40" and 60" (1016mm and 1524mm)



HD LED DOCK LIGHT



Heavy-duty on/off switch and strain relief are located in the recessed back plate, reducing the chances of being damaged by moving equipment in the loading dock area.

DOCK LIGHTS

GOOSENECK INDUSTRIAL LIGHT

The Ideal Solution for Both Dock and Task Lighting Applications

- Robust light fixture with flexible stainless steel arm that will not sag
- Rugged arm assembly incorporates flexible conduit with a steel elbow that simplifies positioning
- Models available with LED bulb or with user supplied incandescent bulb
- No internal cooling fan required, reducing energy consumption
- Impact and heat resistant polycarbonate light head remains cool to the touch
- UL and cUL certified for safe operation
- All components field replaceable
- Fast and easy to install on any vertical surface

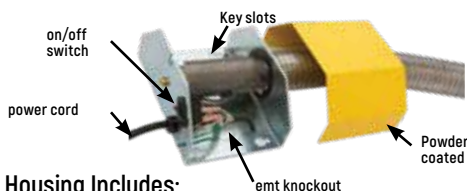
Unique Flexible Stainless Steel Arm Features:

- Low profile and easy positioning
- Will not sag
- Can be rotated 180 degrees for use in any direction
- Extends 27" above housing, easily bending around most dock door tracks
- 2" industrial grade stainless steel conduit
- Bendable over the entire length
- All steel elbow to simplify positioning

Impact and Heat Resistant Polycarbonate

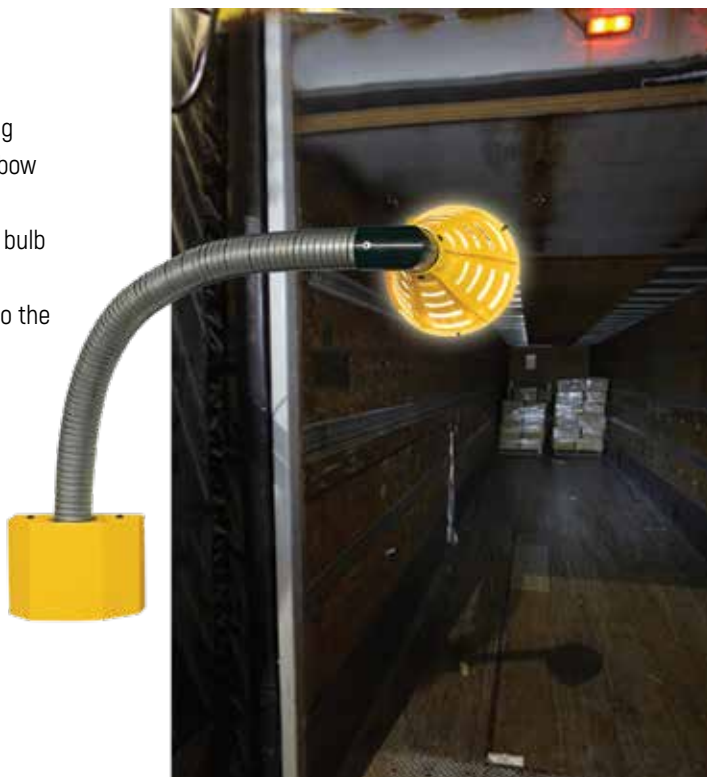
Light Head:

- DLGN-120-PLED model supplied with PAR38 LED bulb; uses 18 watts of power, but provides as much light as 150 watt incandescent bulb. 3 year warranty on bulb
- DLGN-120 model is used with customer supplied PAR38 bulb (150 watt maximum)
- Cool to the touch and vented to increase bulb life
- Lamp housing uses durable UV stabilized Polycarbonate Material
- Supplied with wire guard that can be fastened to the light head for bulb security
- Field replaceable heavy duty lamp socket



All Steel Housing Includes:

- Conveniently placed on/off switch
- Six foot power cord with strain relief and NEMA 5-15 plug
- Four key slots for easy mounting
- EMT knockout on back of housing for hardwire mounting
- Corrosion resistant mounting box with powder coated safety yellow cover
- Storage clip for unique wrench used to secure wire guard

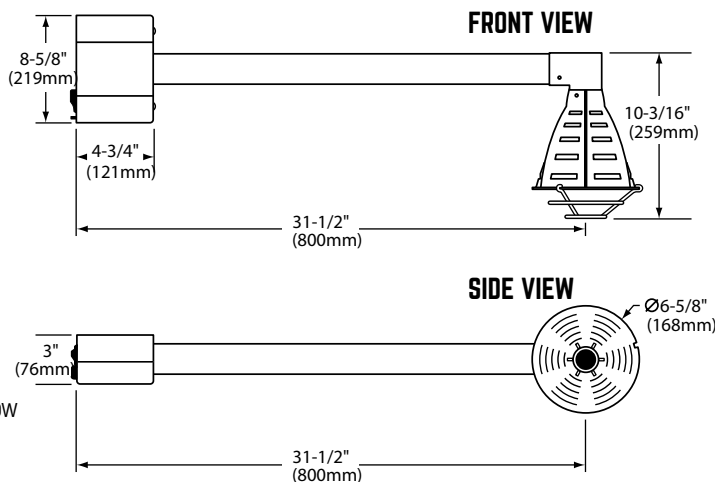


**CAN EASILY FIT
BETWEEN DOOR
CENTER LINES**



MEASUREMENTS:

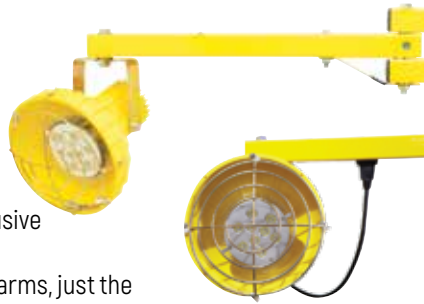
(Model Numbers: DLGN-120, DLGN-120-PLED)



DOCK LIGHTS

STANDARD LED DOCK LIGHT

- 80% less energy than incandescent or halogen bulbs
- Achieves maximum light intensity instantly
- No fragile filament to break
- No shattered glass to sweep up
- Light is optimized for trailer illumination
- Ideal for use in food warehouses
- Voltage range for use world wide
- 14 gauge, 1-1/2" (38mm) square steel arms
- Wire guard with security clips protect bulb from abusive contact and keeps it locked in place
- Available as complete dock light with light head and arms, just the bulb, or just the head
- Voltage input: 100-240VAC, 50/60 Hz, Single Phase
- UL, cUL, CE certified and RoHS Compliant
- Reach: 40" and 60" (1016mm and 1524mm)



INCANDESCENT DOCK LIGHT

- High impact resistant polycarbonate head
- Weighs 50% less than conventional metal head dock lights
- Always cool to touch head
- Wire guard with security clips protect bulb from abusive contact and keeps it locked in place
- 14 gauge, 1-1/2" (38mm) square steel arms
- Available as complete dock light with light head and arms, just the bulb, or just the head
- Voltage input: 100-240VAC, 50/60 Hz, Single Phase
- UL, cUL, CE certified
- Reach: 40" and 60" (1016mm and 1524mm)



Many other dock light options available

If there is something you are interested in that you don't see, give us a call, chances are we have it!

High Pressure Sodium



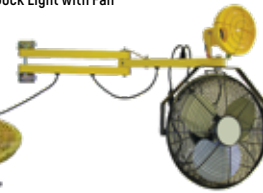
Flex-Arm Dock Light



Food/Pharmaceutical



Dock Light with Fan



Incandescent Metal Head



MORE SAFETY SOLUTIONS



Forklift Safety Products



Loading Dock Bumpers



Wheel Chock Safety Systems



Guarding Systems



IDEAL WAREHOUSE
INNOVATIONS INC
Protecting Your People

Toll-Free Phone: 1-866-828-6737
Toll-Free Fax: 1-844-899-0088

IdealWarehouse.com
info@idealwarehouse.com

Many Ideal Warehouse Innovations Inc Safety Products are trademarked and covered by U.S. or international patents. Products may change without prior notice. Form [DockLight-EN-HI-IW-L201812]