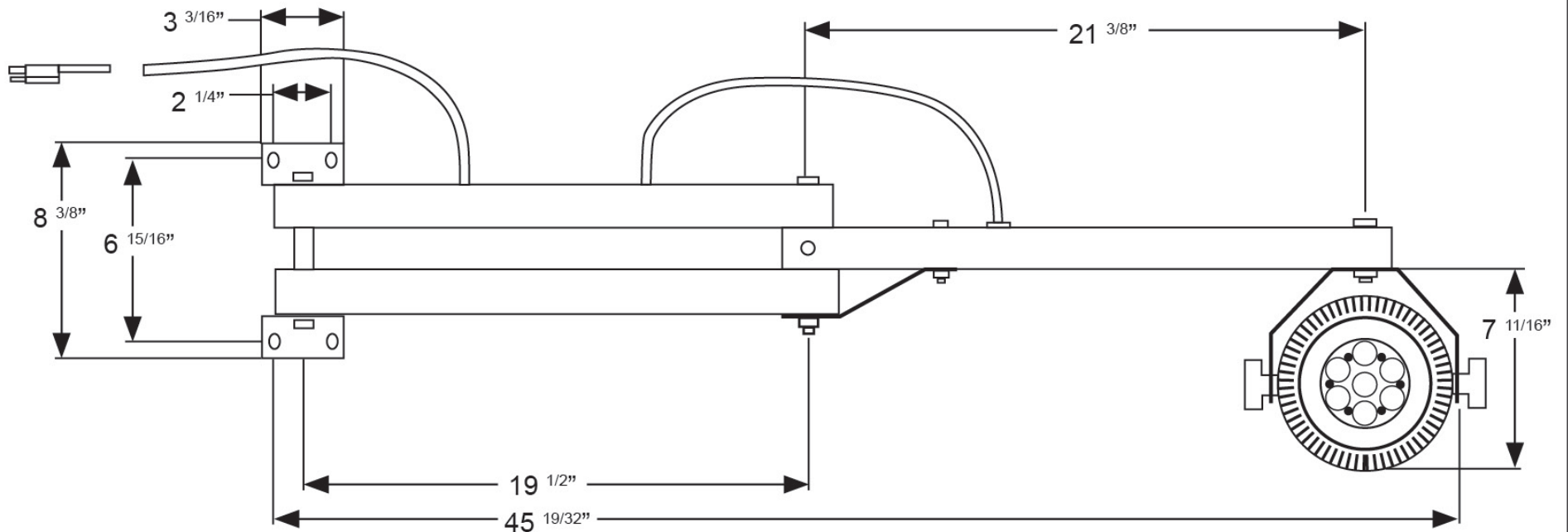


DL40-HDLED



NOTES:

1. MODEL: DL40-HDLED
2. VOLTAGE: 100-240 VAC
3. CORD TYPE: SJTW 18-3
4. CORD LENGTH: 8 FT.
5. SAFETY AGENCY CERTIFICATIONS: UL, CUL, CE