

## INSTALLATION INSTRUCTIONS

### INSPECT THE SITE AND ENSURE ALL PARTS ARE PRESENT

CLEAN THE AREA OF ANY DEBRIS BEFORE INSTALLING FLOOR ANGLES

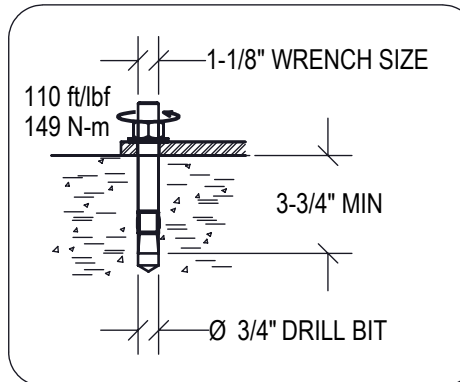
### SAFETY PRECAUTIONS

USE APPROPRIATE PERSONAL PROTECTIVE EQUIPMENT SUCH AS GLOVES, SAFETY GLASSES, HEARING PROTECTION AND PROTECTIVE SHOES.

### ANCHOR BOLTS

THE SUPPLIED ANCHOR BOLTS REQUIRE AN MINIMUM EMBEDDED DEPTH OF 3-3/4"

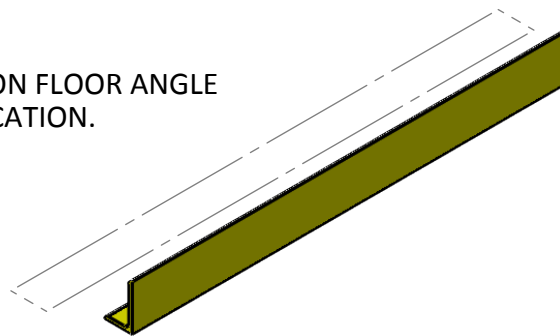
TIGHTEN THE NUT TO THE INSTALLATION TORQUE OF 110 ft/lbf [149 N-m]



### TOOLS REQUIRED FOR INSTALLATION

- MEASURING TAPE
- CHALK LINE
- HAMMER DRILL WITH A 3/4" DRILL BIT
- 1-1/8" SOCKET WRENCH AND/OR ADJUSTABLE WRENCH
- METAL-CUTTING SAW

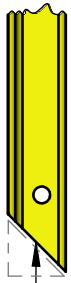
**STEP 1:** POSITION FLOOR ANGLE  
IN DESIRED LOCATION.



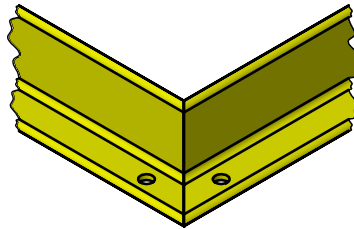
 3rd Angle	SIZE: <b>A</b>	 <b>IDEAL WAREHOUSE</b> INNOVATIONS INC
DESCRIPTION: <b>FLOOR ANGLE INSTALLATION INSTRUCTIONS</b>		
SCALE: <b>1:15</b>	SHEETS: <b>1 of 2</b>	DRAWING NUMBER: <b>60-63XX Installation Instructions</b>

# INSTALLATION INSTRUCTIONS

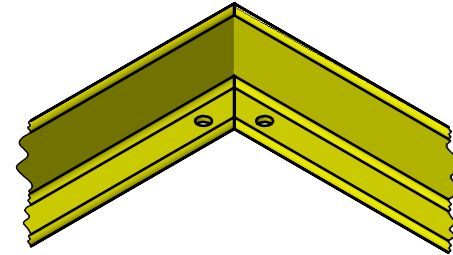
**STEP 2 (IF NEEDED):** WHEN PLACING FLOOR ANGLES ON 90 DEGREE CORNERS, USE A METAL-CUTTING SAW TO MAKE A 45 DEGREE MITER CUT ON BOTH PIECES YOU ARE JOINING.



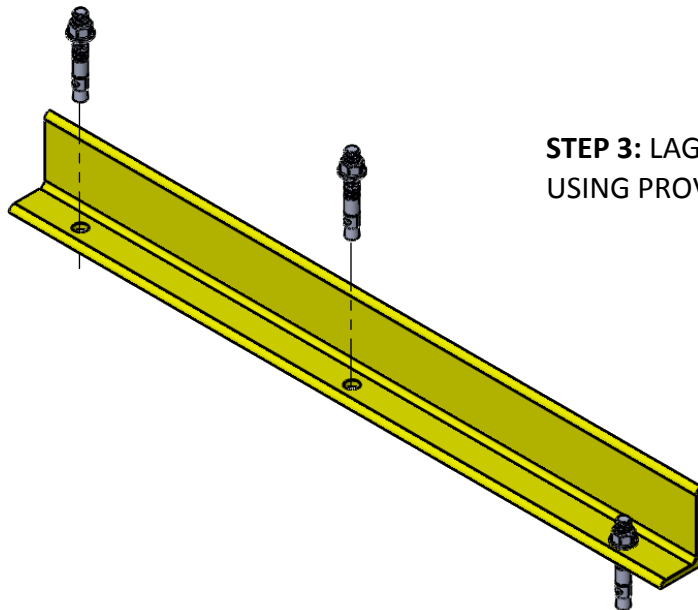
45 DEGREE CUT



OUTSIDE CORNER



INSIDE CORNER



**STEP 3:** LAG FLOOR ANGLES TO THE GROUND USING PROVIDED ANCHORS AND SPECIFICATIONS.

 3rd Angle	SIZE: <b>A</b>	 <b>IDEAL WAREHOUSE</b> INNOVATIONS INC
DESCRIPTION: <b>FLOOR ANGLE INSTALLATION INSTRUCTIONS</b>		
SCALE: <b>1:10</b>	SHEETS: <b>2 of 2</b>	DRAWING NUMBER: <b>60-63XX Installation Instructions</b>