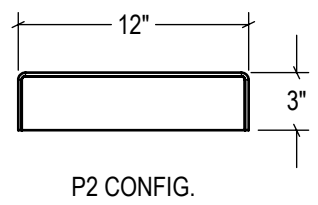
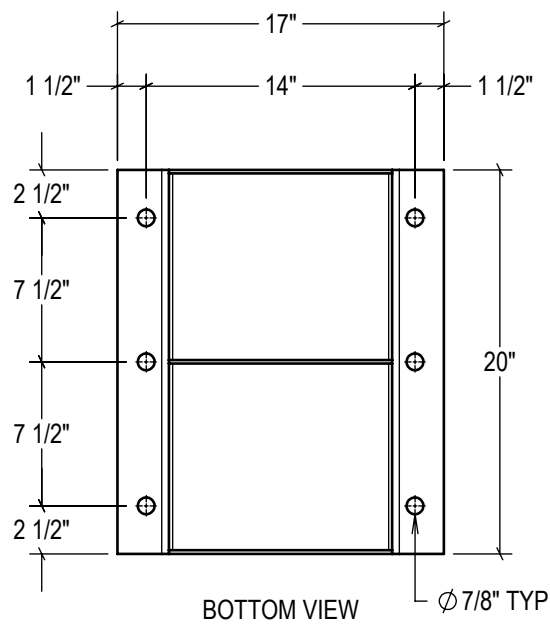
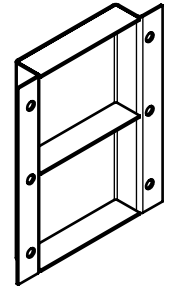
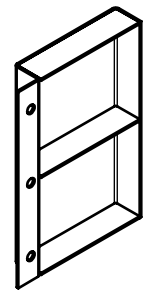


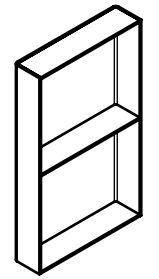
STANDARD
 model #: 3x20
 part #: -
 Bolted (2) Sides



P1 CONFIG.
 model #: 3x20/P1
 part #: -
 Welded (1) Side



P2 CONFIG.
 model #: 3x20/P2
 part #: -
 Welded (2) Sides



ESTIMATED GROSS SHIPPING WEIGHT = 20 LBS

SPECIFICATIONS:
 -

DRAWN BY: **T.CHUNG** DATE: **2019-02-06**
 CHECKED BY: DATE:

3rd Angle
 SIZE: **A**



DESCRIPTION:
STEEL BUMPER EXTENSION BRKT 3x20

ALL DIMENSIONS ARE $\pm 1/8"$ UNLESS SPECIFIED OTHERWISE

THE INFORMATION CONTAINED IN THIS DRAWING IS THE SOLE PROPERTY OF IDEAL WAREHOUSE INNOVATIONS INC. ANY REPRODUCTION IN PART OR AS A WHOLE IS PROHIBITED.

SCALE: **1:10** SHEETS: **1 of 1** DRAWING NUMBER: **MKT_3x20** REV: **0**