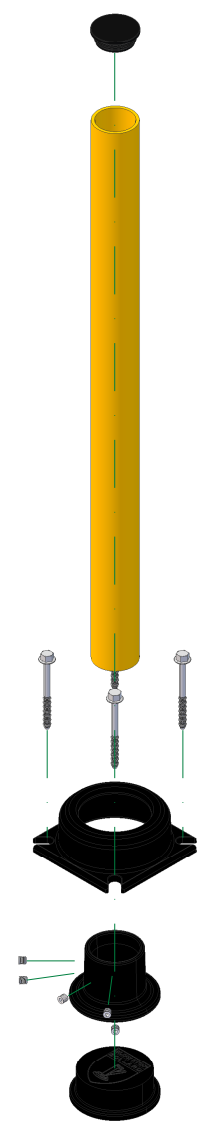
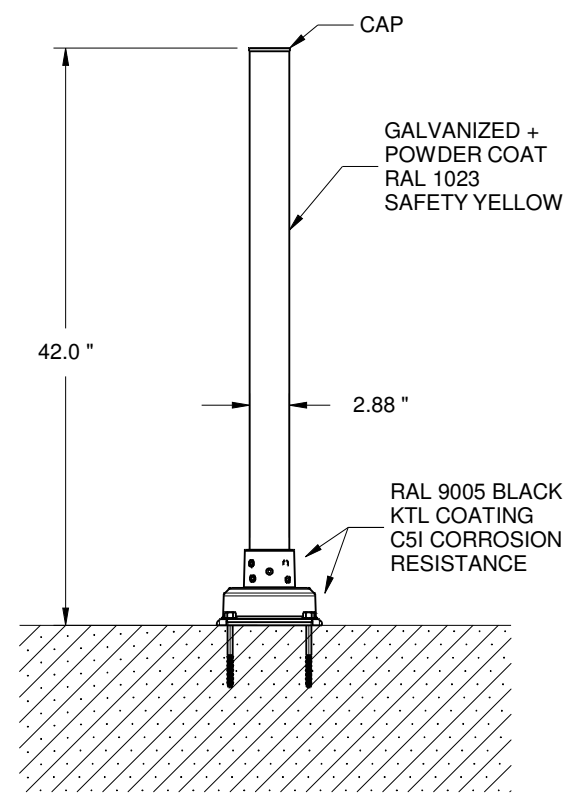


ISO



EXPLODED



* MINIMUM FOUNDATION DEPENDS ON LOCAL SOIL CONDITIONS, WEATHER & ENG. REQ'TS



CONFIDENTIAL & PROPRIETARY

The drawing on this print and the information therewith are property of SlowStop Guarding Systems, LLC, and Ideal Warehouse Innovations, Inc., and shall not be used or discussed in whole or in part without consent.

idealwarehouse.com info@idealwarehouse.com

SIZE
A

PART NO.
SS3Y-42

DWG.
3"Ø X 42" REBOUNDING STEEL BOLLARD

REV
2.0

SCALE

SLOWSTOP GUARDING SYSTEMS, LLC

DATE 16-MAY-2017