



TCS-3000 SURE LITE (INTERIOR) INSTALLATION INSTRUCTIONS

1. Remove Lid From Switch Box

- a. Unscrew all four holes on the corners of the switch box lid (fig. 1) using a small Phillips or flat end screw driver.
- b. Place lid to one side.

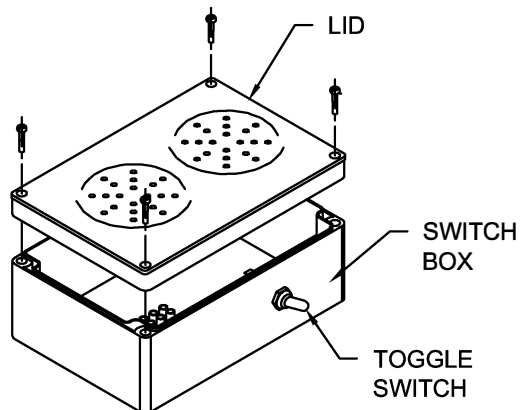


fig. 1

2. Mount Switch Box (Mounting Hardware Not Supplied)

- a. Decide on desired location for switch box.
- b. Using the template provided (page 2), mark and drill four mounting holes.
- c. Bolt switch box into place.

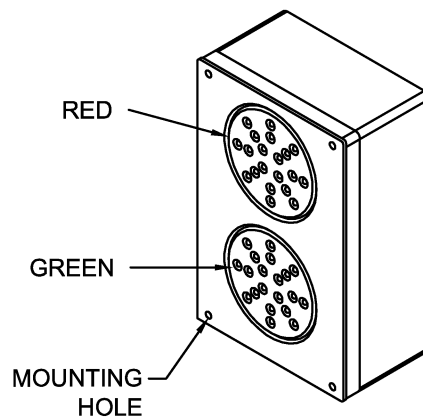



fig. 2

 SWITCH BOX SHOULD BE LOCATED IN A VISIBLE LOCATION ALLOWING EASY ACCESS TO TOGGLE SWITCH.

120 VAC, 60hz, 65mA

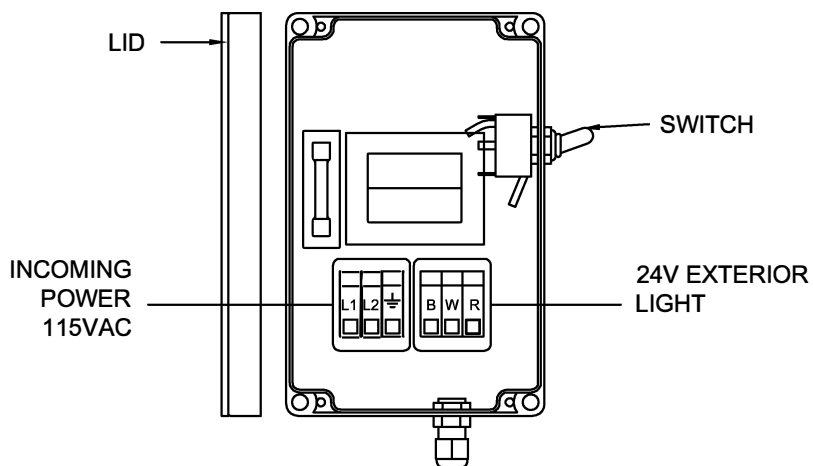
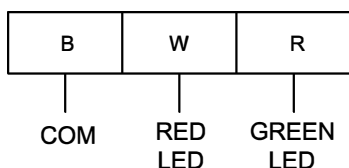


fig. 3

