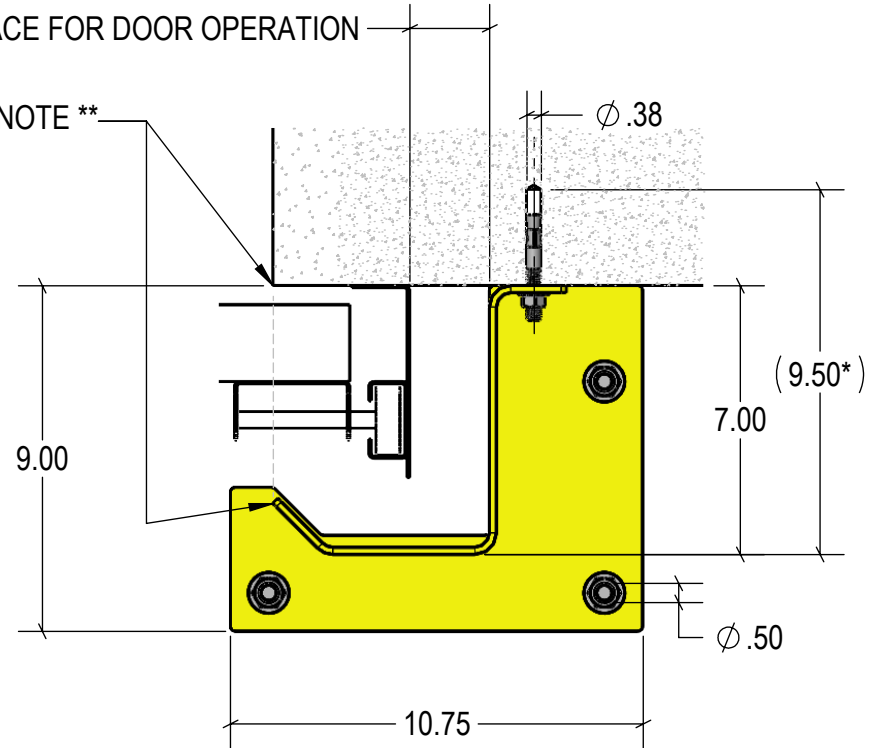


ENSURE ADEQUATE SPACE FOR DOOR OPERATION

SEE NOTE **



STEP 1: POSITION GUARD INTO DESIRED LOCATION

STEP 2: FASTEN TO WALL WITH MINIMUM 3/8" x 2-3/4" CONCRETE ANCHORS OR OTHER SUITABLE FASTENER. SEE TABLE BELOW FOR FASTENER QTY.

STEP 3: FASTEN TO FLOOR WITH MINIMUM (3) 1/2" x 3-3/4" CONCRETE ANCHORS OR OTHER SUITABLE FASTENER

* A LONG DRILL BIT MAY BE REQUIRED DEPENDING ON SURROUNDING CONDUIT OR EQUIPMENT

** ALIGN LEADING EDGE OF TRACK PROTECTOR TO MAXIMIZE DOOR TRACK PROTECTION, WITHOUT INTERFERING WITH LOADS GOING THROUGH THE DOOR

UNIT HEIGHT	WALL FASTENER QTY.
24"	2
36"	3
48"	3

DRAWN BY: T.CHUNG	DATE: 2020-12-04	SIZE: A	IDEAL WAREHOUSE INNOVATIONS INC
CHECKED BY:	DATE:		
DESCRIPTION: TRACK PROTECTOR INSTALLATION INSTRUCTIONS			
SCALE: 1:25	SHEETS: 1 of 1	DRAWING NUMBER: 60-50XX-INSTALL_R1.PDF	REV: 1
THE INFORMATION CONTAINED IN THIS DRAWING IS THE SOLE PROPERTY OF IDEAL WAREHOUSE INNOVATIONS INC. ANY REPRODUCTION IN PART OR AS A WHOLE IS PROHIBITED.			