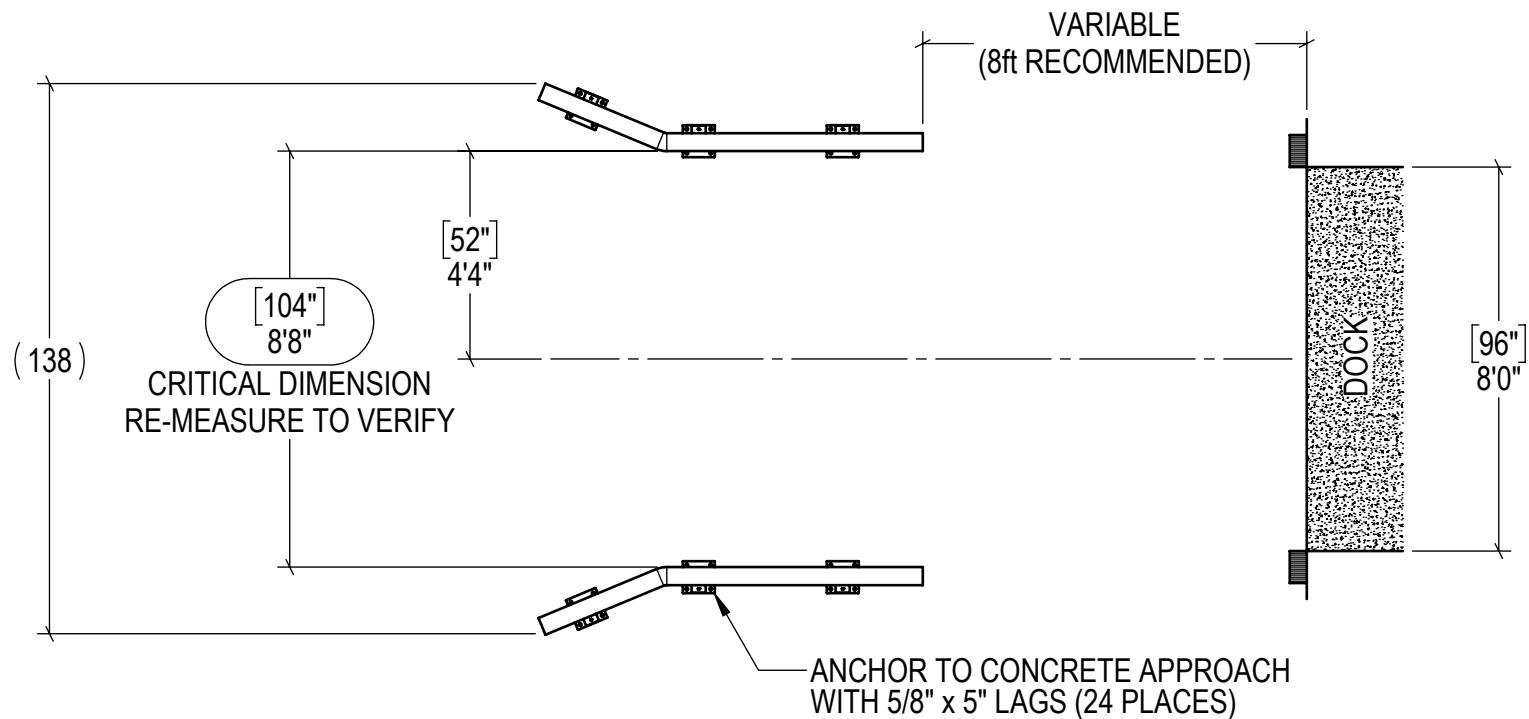




INSTALLATION INSTRUCTIONS



NOTES:

1. 6" THICK CONCRETE APPROACH REQUIRED
2. TORQUE ALL LAGS TO 80 ft-lbs

DRAWN BY: T.CHUNG	DATE: 2020-04-01	 3rd Angle SIZE: A	 IDEAL WAREHOUSE INNOVATIONS INC
CHECKED BY:	DATE:		
THE INFORMATION CONTAINED IN THIS DRAWING IS THE SOLE PROPERTY OF IDEAL WAREHOUSE INNOVATIONS INC. ANY REPRODUCTION IN PART OR AS A WHOLE IS PROHIBITED.		DESCRIPTION: WHEEL GUIDE INSTALLATION INSTRUCTIONS	
		SCALE: 1:48	SHEETS: 1 of 2

INSTALLATION INSTRUCTIONS

INSPECT THE SITE AND ENSURE ALL PARTS ARE PRESENT

CLEAN THE AREA OF ANY DEBRIS BEFORE INSTALLING GUARDRAILS AND ACCESSORIES

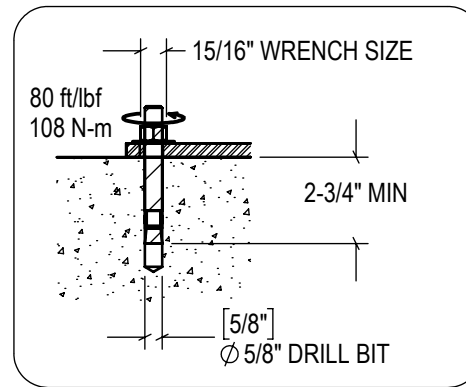
SAFETY PRECAUTIONS

USE APPROPRIATE PERSONAL PROTECTIVE EQUIPMENT SUCH AS GLOVES, SAFETY GLASSES, HEARING PROTECTION AND PROTECTIVE SHOES.

ANCHOR BOLTS



THE SUPPLIED ANCHOR BOLTS REQUIRE AN MINIMUM EMBEDDED DEPTH OF 2-3/4"

TIGHTEN THE NUT TO THE INSTALLATION TORQUE OF 80 ft/lbf [108 N-m]



TOOLS REQUIRED FOR INSTALLATION

- MEASURING TAPE
- CHALK LINE
- 2FT LEVEL
- HAMMER DRILL WITH A 5/8" DRILL BIT
- 15/16" SOCKET WRENCH AND/OR ADJUSTABLE WRENCH

DRAWN BY: T.CHUNG	DATE: 2020-04-01	 3rd Angle SIZE: A	 IDEAL WAREHOUSE INNOVATIONS INC
CHECKED BY:	DATE:		
THE INFORMATION CONTAINED IN THIS DRAWING IS THE SOLE PROPERTY OF IDEAL WAREHOUSE INNOVATIONS INC. ANY REPRODUCTION IN PART OR AS A WHOLE IS PROHIBITED.		DESCRIPTION: WHEEL GUIDE INSTALLATION INSTRUCTIONS	
		SCALE: 1:16	SHEETS: 2 of 2