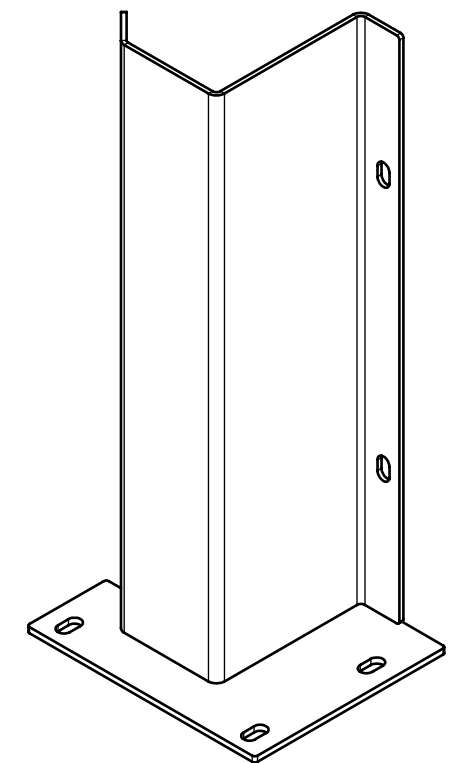
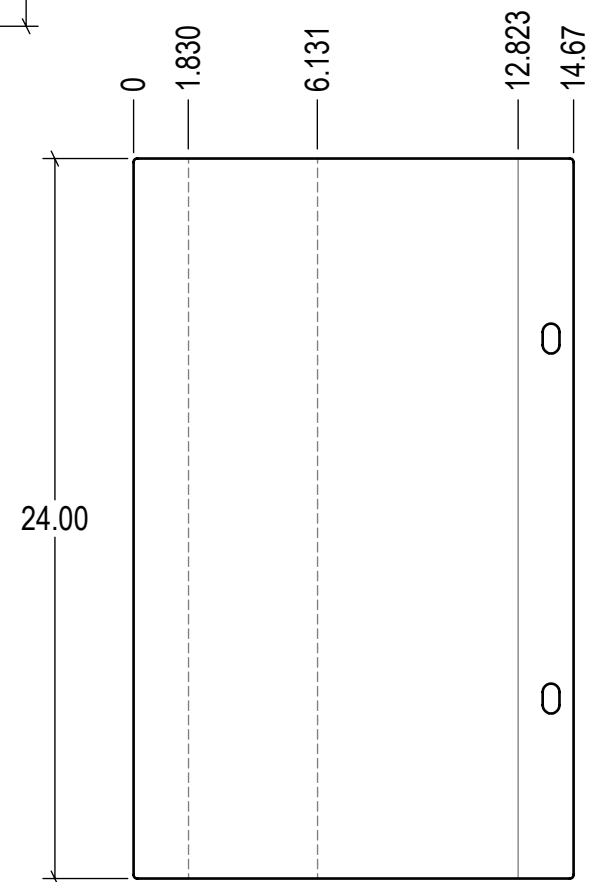
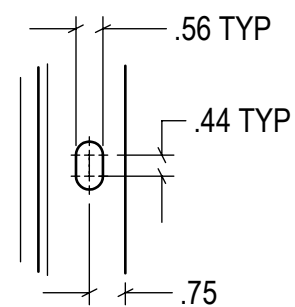
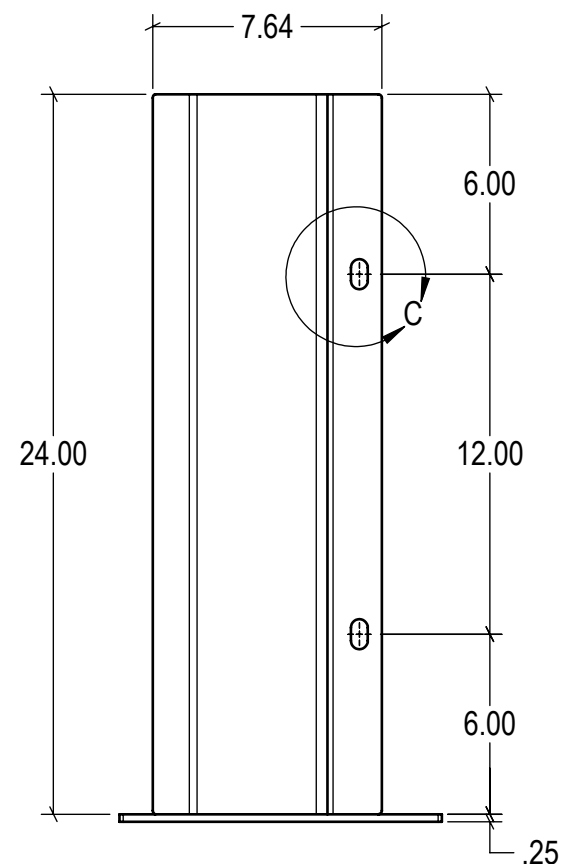


DETAIL A
SCALE 1 : 4



WEIGHT: 22.31 lbs



DETAIL C
SCALE 1 : 4

DRAWN BY: T.CHUNG	DATE: 2020-11-19	3rd Angle SIZE: B	IDEAL WAREHOUSE INNOVATIONS INC
CHECKED BY:	DATE:		
THE INFORMATION CONTAINED IN THIS DRAWING IS THE SOLE PROPERTY OF IDEAL WAREHOUSE INNOVATIONS INC. ANY REPRODUCTION IN PART OR AS A WHOLE IS PROHIBITED.		DESCRIPTION: Track Protector 24"x3/16" w/45 Deg Bend, Flat Top, Base(R)	
SCALE: 5:32	SHEETS: 1 of 1	DRAWING NUMBER: 60-5090	REV: 1