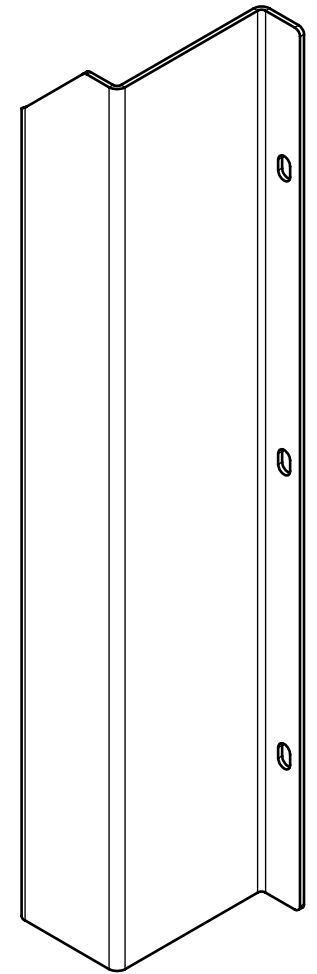
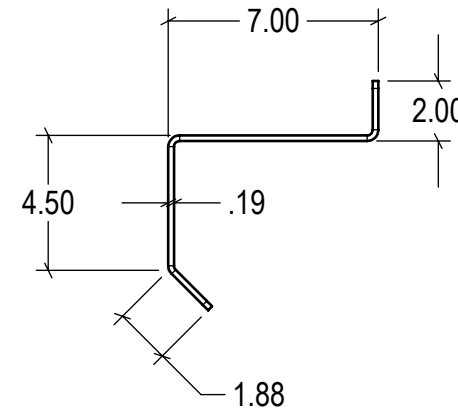


3X .56 X 1.00 THRU ALL



WEIGHT: 27.22 lb

UNLESS SPECIFIED OTHERWISE:	QTY: -	UNITS: inch	HARDNESS: NONE
LINEAR DIMENSIONS: X.X: ± 0.020" X.XX: ± 0.010" X.XXX: ± 0.005"	MATERIAL: Plain Carbon Steel		
ANGULAR DIMENSIONS: ±1°	FINISH: POWDERCOAT - GOLDEN YELLOW		
HOLE POSITIONS: ±0.010"	STOCK SIZE: -		

DRAWN BY: T.CHUNG	DATE: 2020-11-19	 3rd Angle	SIZE: <b>B</b>	 <b>IDEAL WAREHOUSE INNOVATIONS INC</b>
CHECKED BY:	DATE:		DESCRIPTION: Track Protector 36"x3/16" w/45 Deg Bend, 45 Deg Top, No Base(R)	
THE INFORMATION CONTAINED IN THIS DRAWING IS THE SOLE PROPERTY OF IDEAL WAREHOUSE INNOVATIONS INC. ANY REPRODUCTION IN PART OR AS A WHOLE IS PROHIBITED.				
SCALE: <b>5:32</b>	SHEETS: <b>1 of 1</b>	DRAWING NUMBER: <b>60-5103</b>	REV: <b>1</b>	