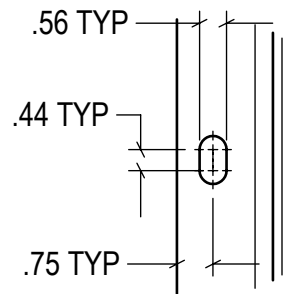
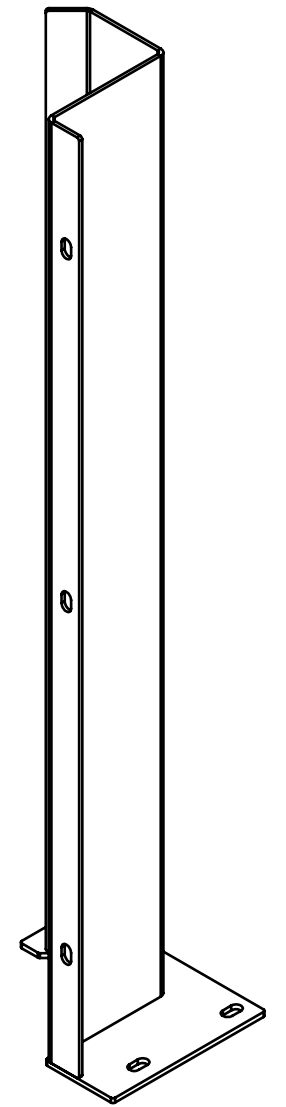
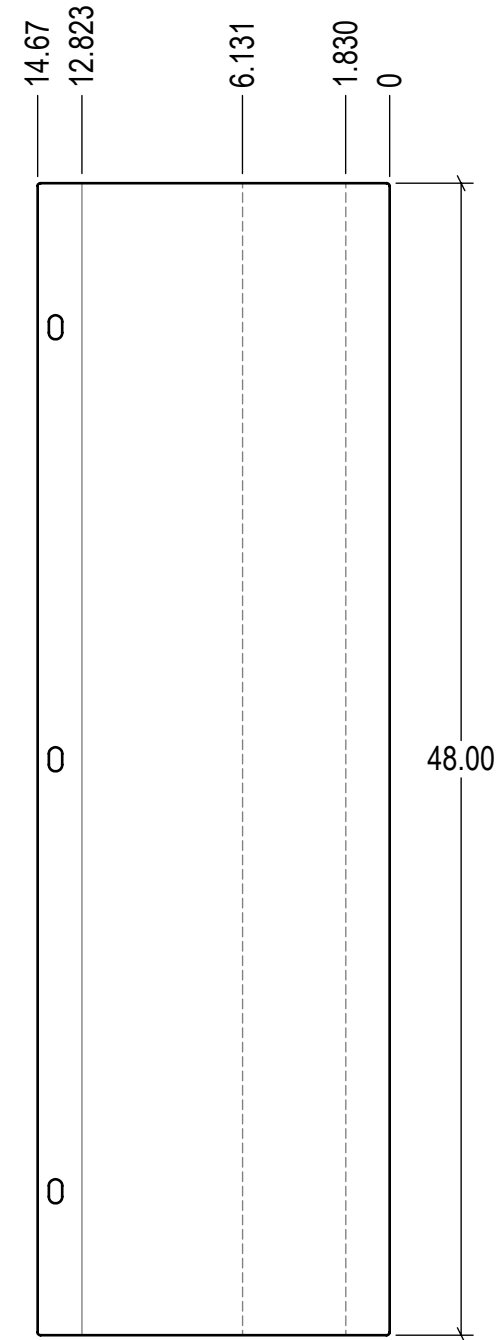
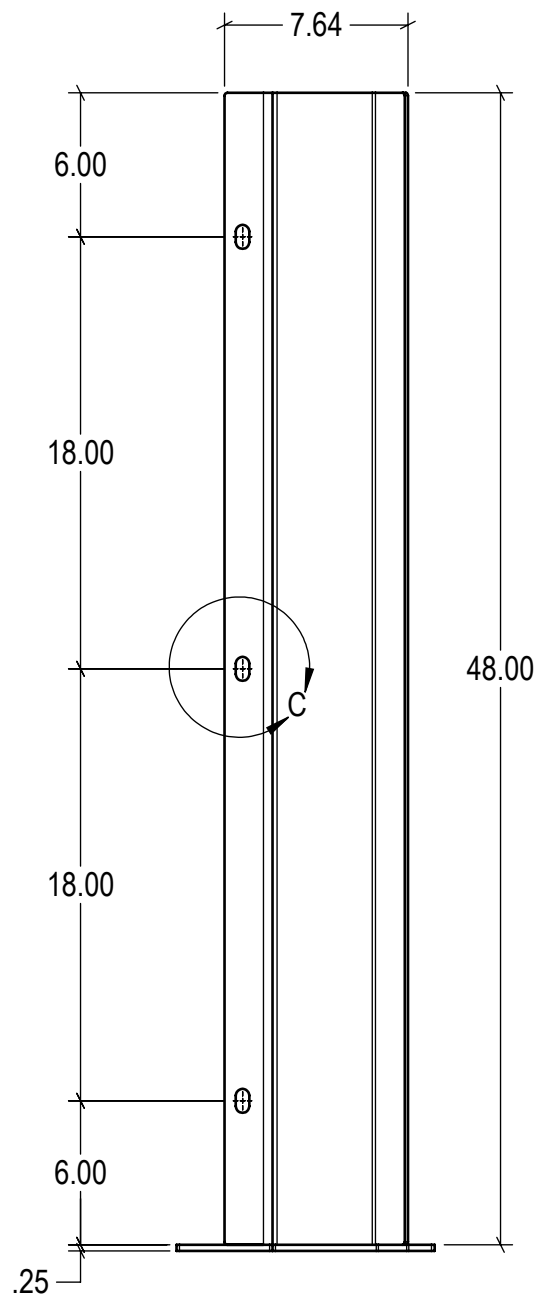


DETAIL A
SCALE 1 : 4



DETAIL C
SCALE 1 : 4



WEIGHT: 40.89 lb

DRAWN BY: T.CHUNG	DATE: 2021-12-24	3rd Angle SIZE: B	IDEAL WAREHOUSE INNOVATIONS INC
CHECKED BY:	DATE:		
THE INFORMATION CONTAINED IN THIS DRAWING IS THE SOLE PROPERTY OF IDEAL WAREHOUSE INNOVATIONS INC. ANY REPRODUCTION IN PART OR AS A WHOLE IS PROHIBITED.		DESCRIPTION: Track Protector 48"x3/16" w/45 Deg Bend, Flat Top, Base(L)	
SCALE: 1:8	SHEETS: 1 of 1	DRAWING NUMBER: 60-5095	REV: 1