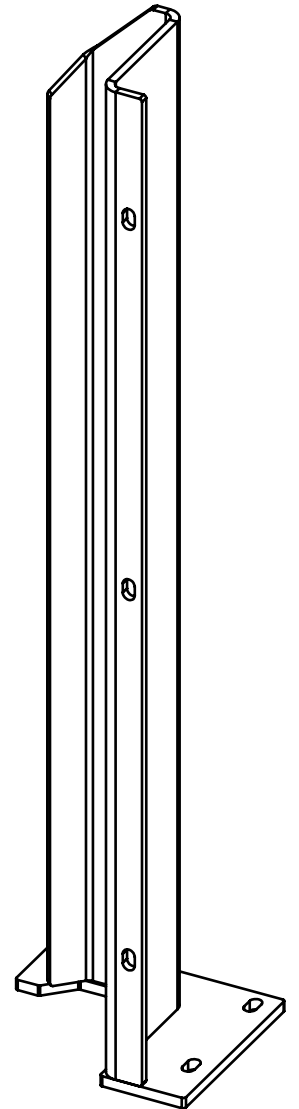
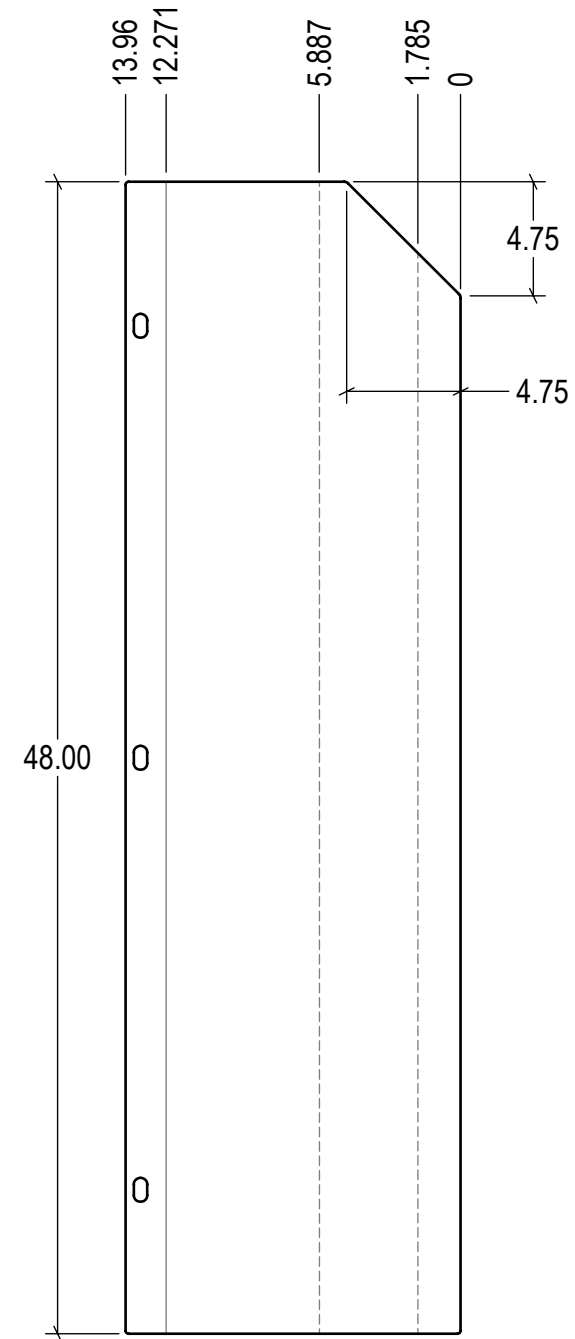
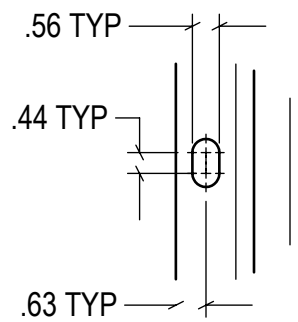
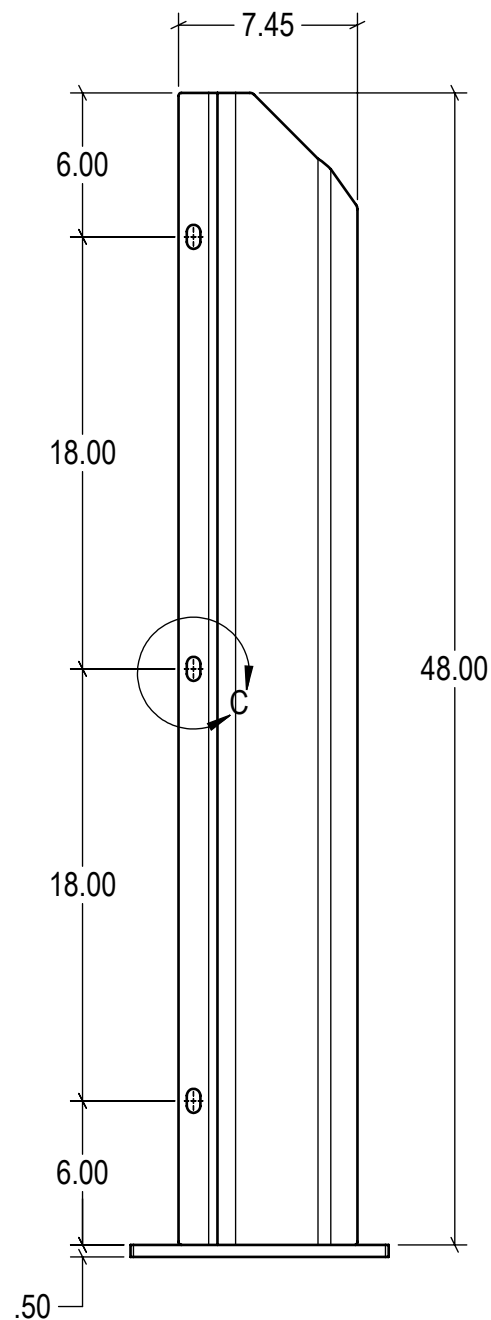




DETAIL A  
SCALE 1 : 4



WEIGHT: 77.00



DETAIL C  
SCALE 1 : 4

DRAWN BY: <b>T.CHUNG</b>	DATE: <b>2021-12-24</b>	 3rd Angle	SIZE: <b>B</b>	 <b>IDEAL WAREHOUSE INNOVATIONS INC</b>	
CHECKED BY:	DATE:		DESCRIPTION: <b>Track Protector 48"x3/8" w/45 Deg Bend, 45 Deg Top, Base(L)</b>		
THE INFORMATION CONTAINED IN THIS DRAWING IS THE SOLE PROPERTY OF IDEAL WAREHOUSE INNOVATIONS INC. ANY REPRODUCTION IN PART OR AS A WHOLE IS PROHIBITED.		SCALE: <b>1:8</b>	SHEETS: <b>1 of 1</b>	DRAWING NUMBER: <b>60-4053</b>	REV: <b>1</b>