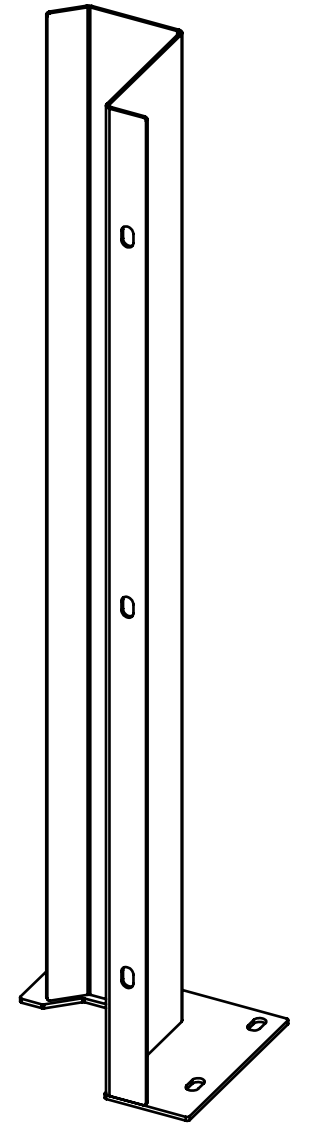
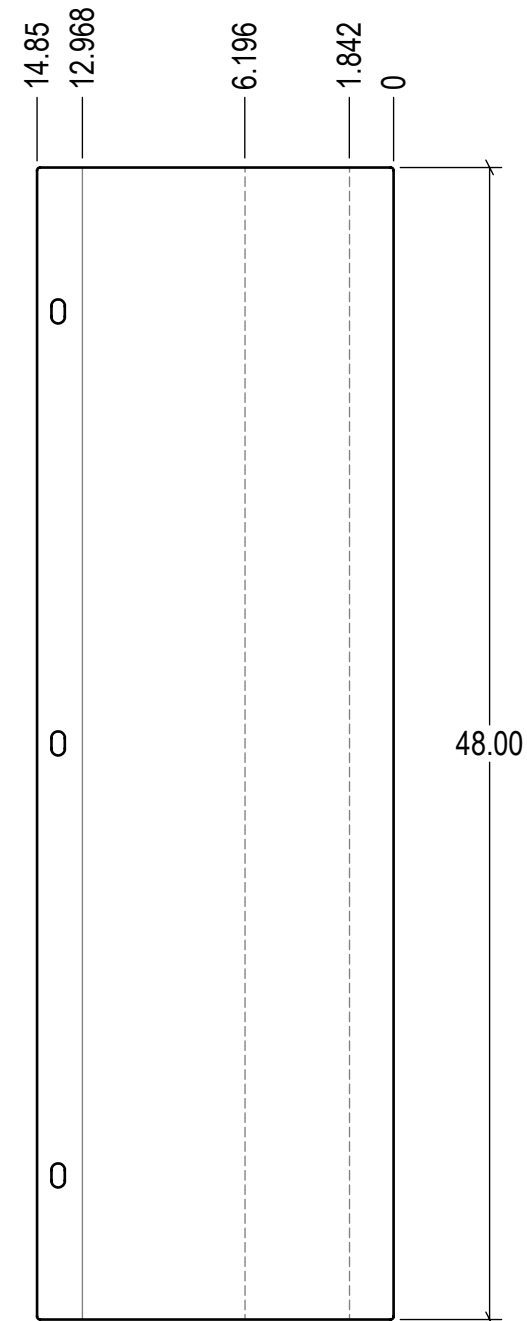
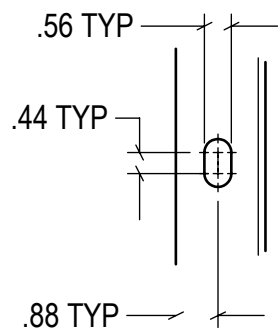
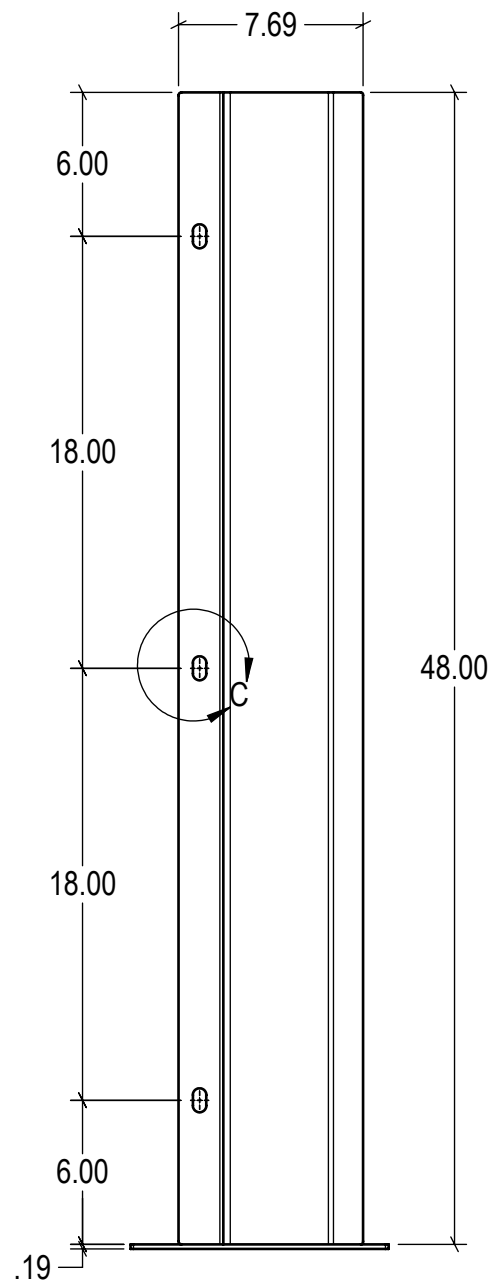


DETAIL A
SCALE 1 : 4



WEIGHT: 29.79 lb



DETAIL C
SCALE 1 : 4

DRAWN BY: T.CHUNG	DATE: 2021-12-24	3rd Angle SIZE: B	
CHECKED BY:	DATE:		
THE INFORMATION CONTAINED IN THIS DRAWING IS THE SOLE PROPERTY OF IDEAL WAREHOUSE INNOVATIONS INC. ANY REPRODUCTION IN PART OR AS A WHOLE IS PROHIBITED.		DESCRIPTION: Track Protector Econo 48"x10ga(1/8") w/45 Deg Bend, Flat Top, Base(L)	
SCALE: 1:8	SHEETS: 1 of 1	DRAWING NUMBER: 60-4071	REV: 1