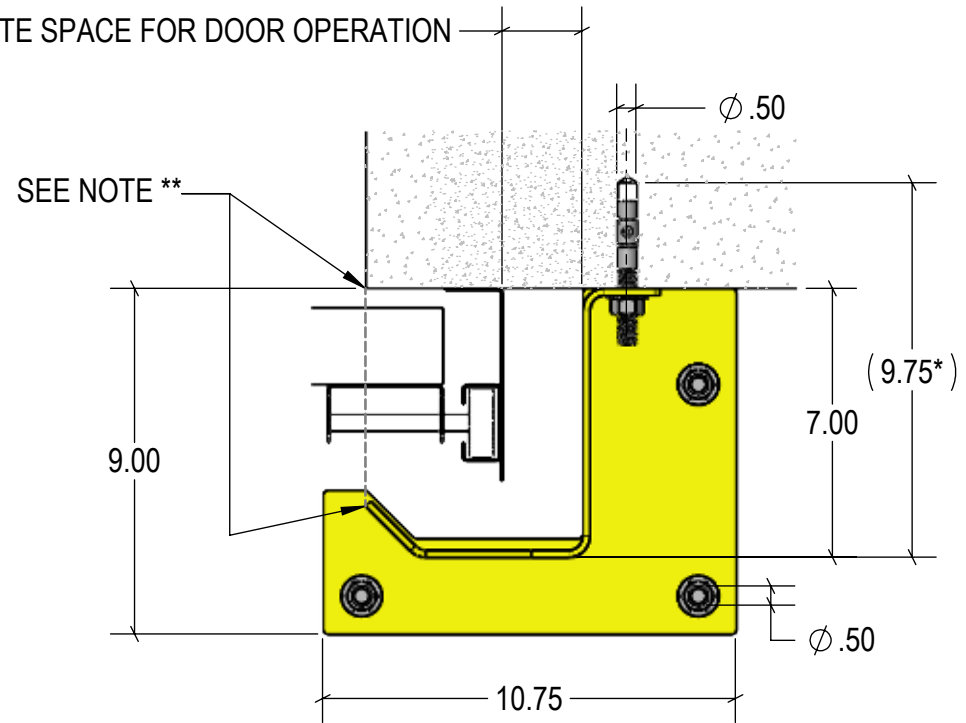
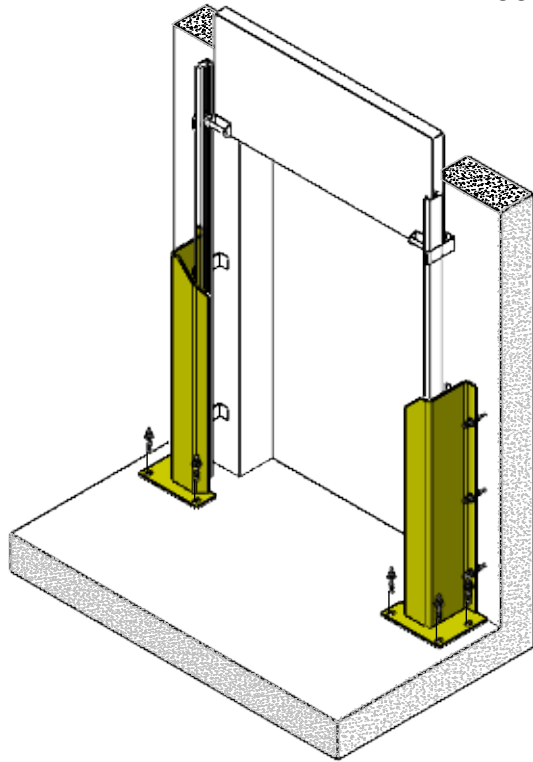


ENSURE ADEQUATE SPACE FOR DOOR OPERATION



STEP 1: POSITION GUARD INTO DESIRED LOCATION

STEP 2: FASTEN TO WALL WITH (3) 1/2" x 3-3/4" CONCRETE ANCHORS OR OTHER SUITABLE FASTENER.

STEP 3: FASTEN TO FLOOR WITH (3) 1/2" x 3-3/4" CONCRETE ANCHORS OR OTHER SUITABLE FASTENER (APPLICABLE ONLY FOR UNITS WITH A BASE)

* A LONG DRILL BIT MAY BE REQUIRED DEPENDING ON SURROUNDING CONDUIT OR EQUIPMENT

** ALIGN LEADING EDGE OF TRACK PROTECTOR TO MAXIMIZE DOOR TRACK PROTECTION, WITHOUT INTERFERING WITH LOADS GOING THROUGH THE DOOR