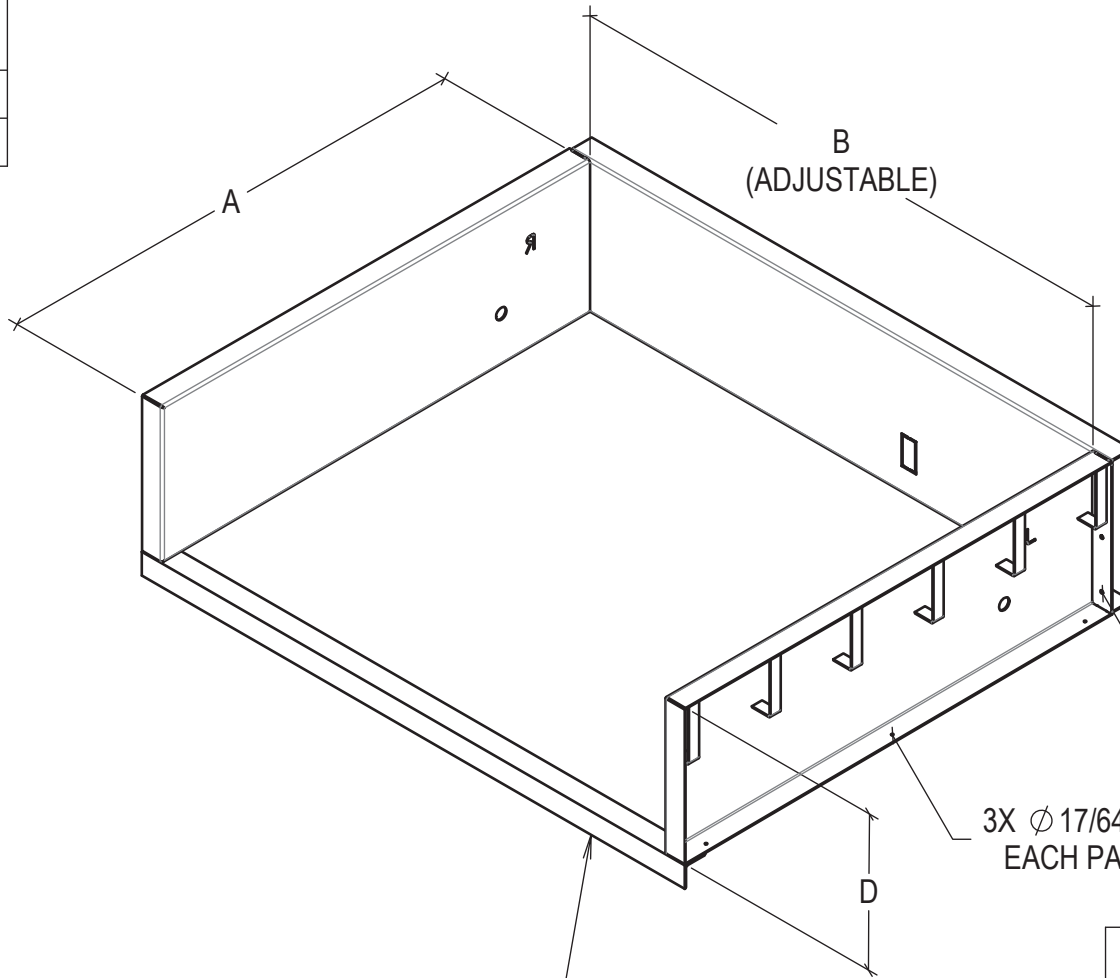


LEVELER LENGTH	A
6'	63"
8'	87"



LEVELER WIDTH	B
6'	74" or 73"
6'-6"	80" or 79"
7'	85" or 84"

3X ϕ 13/32" TYP
EACH END PLATE

3X ϕ 17/64" TYP
EACH PANEL

LEVELER DEPTH D	C
20"	19-1/2"
24"	23-1/2"

OPTIONAL: GALVANIZED

OPTIONAL FRONT CURB ANGLE:
3" x 3" x 3/16"
4" x 4" x 1/4"